



LONG-GOOD

LG

**環形鼓風機
RING BLOWER**



 • CE • IE3 • ISO 9001

升圓企業有限公司發展歷程

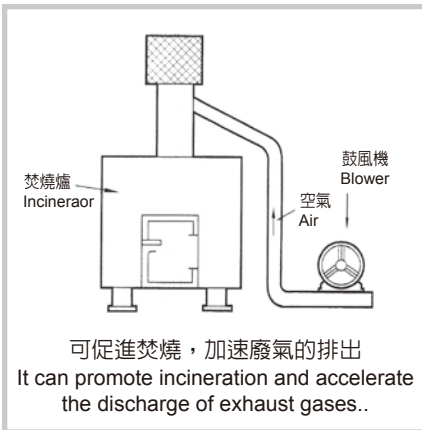
1976年	創立龍成企業社	Established Longcheng Enterprise Co., Ltd.
1977年	製作重油開關	Made heavy oil switches
1979年	開發 環形、透浦式吸送風機	Developed Ring Blowers and Turbo Blowers
1980年	成立LONG-GOOD品牌	Built the brand LONG-GOOD
1983年	成為國內燃燒機供應商第一品牌	Became the primary supplier in the combustion engine industry
1988年	新廠房建成(一廠)，公司改名為升圓企業	Built the first factory and the company was renamed Serve-Well Enterprise
1997年	開發 油霧回收機	Developed oil mist collectors
2001年	獲得 油霧鼓風機之改良結構 新型專利	Obtained a new patent for improved structure of oil mist collectors and blowers
2005年	獲得 氣、液體壓力閥之結構改良 新型專利	Obtained a new patent for structural improvement of gas and liquid pressure valves
2005年	獲得 鼓風機之隔熱結構 新型專利	Obtained a new patent for the insulation structure of the blowers
2006年	獲得 油霧過濾鼓風機結構改良 新型專利	Obtained a new patent for the filtration of the oil mist collectors and the structural improvement of the blowers
2008年	獲得 小型吸送風機之結構改良 新型專利	Obtained a new patent for structural improvement of small blowers
2009年	獲得 側吸二段式油霧回收機 新型專利	Obtained a new patent for a side suction two-stage oil mist collectors
2009年	獲得 經濟部 CNC之油霧集收再利用設備開發計畫補助	Received subsidy from the Ministry of Economic Affairs CNC for the development of oil mist collection and reuse equipment
2009年	獲得 直吸二段式油霧回收機 新型專利	Obtained a new patent for a vertical suction two-stage oil mist collectors
2012年	獲得 免耗材油霧回收機 新型專利	Obtained a new patent for a consumable free oil mist collectors
2013年	獲得 油霧回收裝置 新型專利	Obtained a new patent for oil mist recovery device
2015年	獲得 油霧回收裝置 發明專利	Obtained an invention patent for oil mist recovery device
2017年	新廠房建成(二廠)，成立馬達廠	Built the second factory and established a motor manufacturing factory
2017年	成為美國ODM鼓風機工廠	Became the ODM blower supplier for an American company
2020年	獲得 鼓風機 美國 發明專利	Obtained an invention patent for blowers in the United States
2020年	成為台灣指標半導體大廠ODM鼓風機工廠	Became the ODM blower supplier for Taiwan's leading semiconductor manufacturer
2020年	產品通過 IE3認證	Obtained IE3 certification
2023年	產品通過 CSA認證	Obtained CSA certification

環形鼓風機 Ring Blower

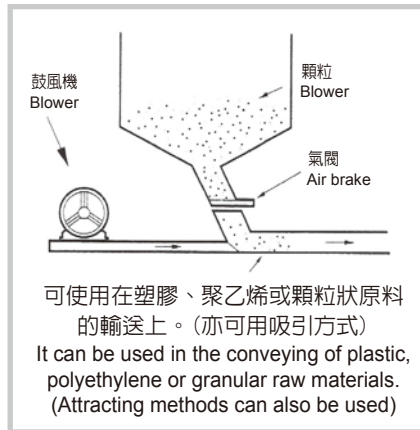
應用圖例－送風用

Application Graphic - For Air Supply

焚燒爐
Incinerator



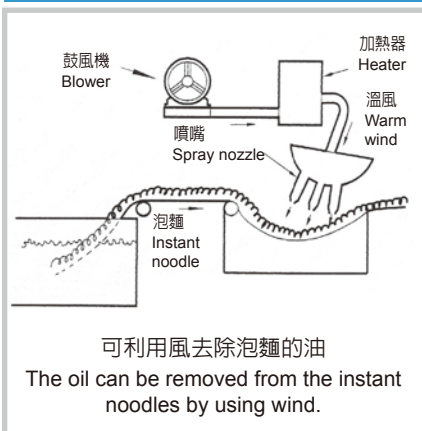
粉粒體輸送
Powder conveying



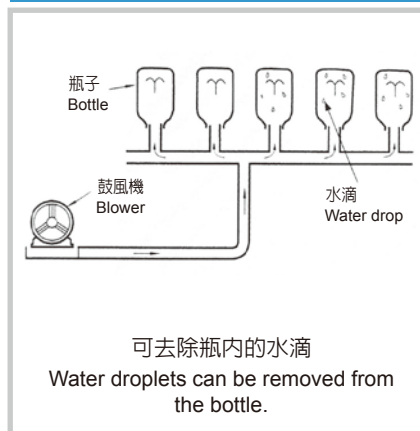
電鍍槽
Plating tank



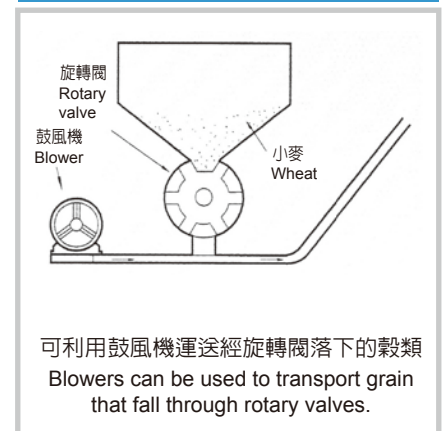
泡麵加工生產線
Instant noodle processing production line



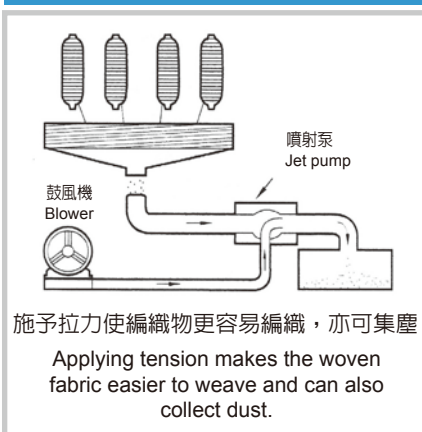
洗瓶機
Bottle washer



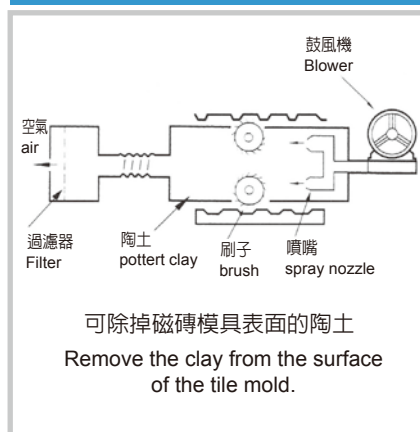
穀類輸送
Grain transportation



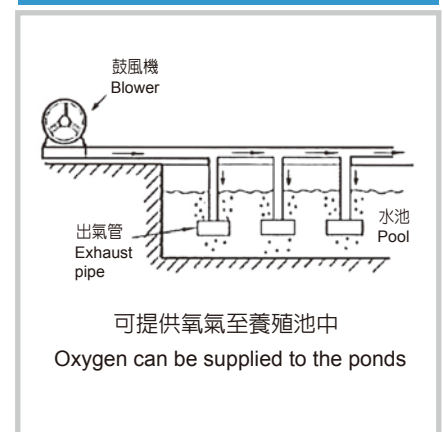
自動編織機
Automatic braiding machine



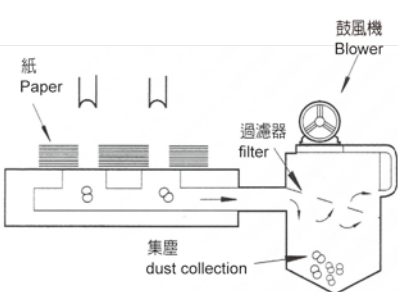
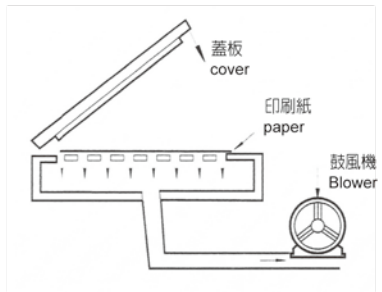
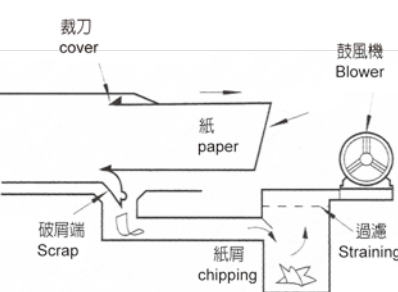
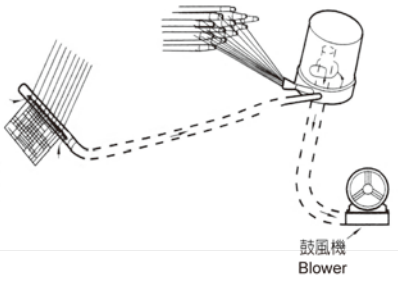
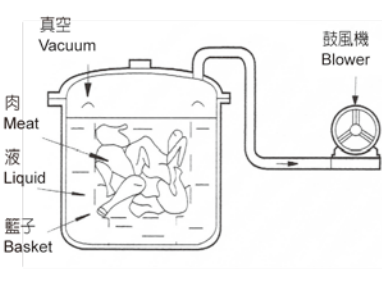
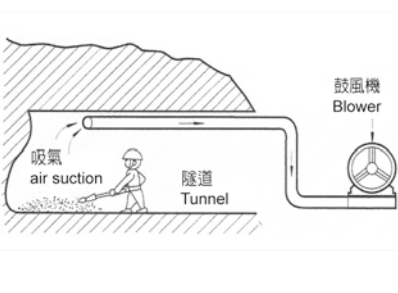
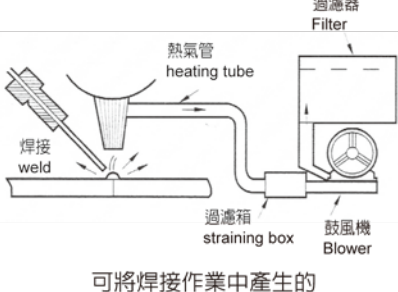
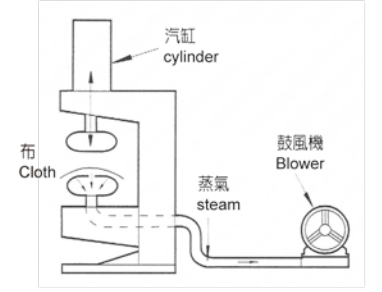
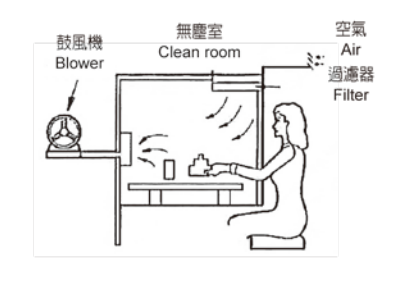
模具、吸塵器
Mold, Vacuum cleaner



養殖業
Aquaculture industry



應用圖例－吸風用 Application Graphic - For Air Suction

<p>打孔機 Puncher</p>  <p>可以將打孔後的殘紙收集到過濾箱內 The remaining paper after punching can be collected into the filter box</p>	<p>印刷機 Printing machinery</p>  <p>吸附固定印刷紙，防止紙張偏移 Adsorb and fix printing paper to prevent paper from shifting</p>	<p>自動包裝機 Automatic packing machine</p>  <p>可將碎屑紙吹至集中區 Shredded paper can be blown to a concentrated area</p>
<p>織布機 Loom</p>  <p>可將織線拉緊並回收 The yarn can be tightened and recycled</p>	<p>食品加工機 Food machinery</p>  <p>將食品加工容器維持在真空狀態 Maintain the food processing container in a vacuum state.</p>	<p>工程現場 Project site</p>  <p>可將隧道工程內的粉塵與有害氣體抽除 It can remove dust and harmful gases in tunnel projects.</p>
<p>焊接機 Welding machinery</p>  <p>可將焊接作業中產生的煙、熱及氣體去除 It can remove smoke, heat and gas generated during welding operations.</p>	<p>布料壓燙機 Fabric ironing machinery</p>  <p>可將蒸氣吸引至布料 It can attract steam to the fabric.</p>	<p>無塵室 Clean room</p>  <p>可將狹窄作業空間內有害化學物質抽除 Harmful chemicals can be removed from narrow workspaces.</p>

環形鼓風機 Ring Blower

Pole(極數):2P

三相 (Three Phase, 3Ø)

型號 TYPE	功率 Power	頻率 Frequency	電壓 Voltage	額定電流 Current	最大吐出壓力 Max. Pressure		最大真空壓力 Max. Vacuum		最大風量 Max. Airflow		口徑 (入、出) In/Out	噪音 Noise Level	重量 Approx. Weight
	kW	Hz	V	A	mmAq	kPa	mmAq	kPa	m³/min	CFM	Inch	dB(A)	KG
LG-106	0.09	50	220/380	0.8 / 0.5	500	5	490	5	0.8	28	PF 1"	52	7
	0.13	60		0.9 / 0.5	650	6	650	6	0.9	32		55	
LG-1068	0.17	50		1.0 / 0.6	800	8	700	7	1.3	46	PF 1-1/4"	61	10
	0.28	60		1.2 / 0.7	1200	12	1000	10	1.6	57		63	
LG-2068	0.4	50		1.8 / 1.0	1400	14	1200	12	1.4	49	PF 1-1/4"	61	11
	0.5	60		2.2 / 1.3	1850	18	1600	16	1.7	60		63	
LG-3068	0.8	50		3.7 / 2.1	2000	20	1600	16	2.4	85	PF 1-1/2"	66	15
	0.9	60		4.2 / 2.4	2800	28	2100	21	2.7	95		69	
LG-406	0.85	50		3.8 / 2.1	2000	20	1600	16	2.6	92	PF 1-1/2"	70	18
	0.95	60		5.0 / 2.9	2600	26	2100	21	3.1	110		72	
LG-5068	1.75	50		7.2 / 4.2	2900	29	2400	24	4.2	148	PF 2"	72	24
	1.9	60		7.9 / 4.5	4000	39	3000	30	4.6	163		76	
LG-6068	2.2	50		10.8 / 6.1	3450	34	2700	27	6	212	PF 2"	75	35
	2.6	60		10.8 / 6.2	4700	46	3400	33	6.5	230		78	
LG-7068	3.7	50		11.5 / 6.3	3450	34	2700	27	6.5	230	PF 2"	75	38
	4	60		13.5 / 7.8	4700	46	3400	33	7	247		78	
LG-8068	5.5	50		21.8 / 12.3	3500	34	2750	27	9.6	339	PF 2-1/2"	76	83
	6	60		24.0 / 13.9	4750	47	3550	35	11.2	396		84	
LG-9068	7.5	50		24.0 / 14.1	3500	34	2750	27	10	353	PF 2-1/2"	76	86
	8	60		30.7 / 17.7	4750	47	3550	35	11.5	406		84	
LG-1306	9	50	25.0 / 15.0	3550	35	2800	27	10.2	360	PF 2-1/2"	76	93	
	10	60	33.2 / 19.2	4800	47	3600	35	11.8	417		84		
LG-1506	11	50	38.7 / 21.0	3600	35	2850	28	19	671	PF 4"	82	135	
	12	60	45.0 / 26.0	4850	48	3650	36	23	813		87		
LG-2006	14	50	43.6 / 24.4	3600	35	2850	28	19.5	689	PF 4"	82	139	
	15	60	61.0 / 35.3	4850	48	3650	36	23.5	830		87		
LG-2506	17	50	58.5 / 35.0	3700	36	2900	19	19.5	689	PF 4"	82	155	
	18.5	60	70.5 / 40.5	5000	49	3700	36	23.5	830		87		
LG-3006	20	50	67.0 / 39.0	5300	52	3500	34	19.5	689	PF 4"	82	165	
	22	60	76.0 / 44.0	7000	69	4300	42	23.5	830		87		

由於技術上的需要，我們保留設計與尺寸變更的權利，特殊電壓可訂製

單相 (Single Phase, 1Ø)

型號 TYPE	功率 Power	頻率 Frequency	電壓 Voltage	額定電流 Current	最大吐出壓力 Max. Pressure		最大真空壓力 Max. Vacuum		最大風量 Max. Airflow		口徑 (入、出) In/Out	噪音 Noise Level	重量 Approx. Weight	
	kW	Hz	V	A	mmAq	kPa	mmAq	kPa	m³/min	CFM	Inch	dB(A)	KG	
LG-006A	0.06	50	110/220	1.5 / 0.7	230	2	170	2	0.31	11	26mm	52	5	
	0.1	60		1.5 / 0.8	290	3	230	2	0.5	18		55		
LG-106A	0.09	50		2.0 / 1.0	500	5	490	5	0.8	28	PF 1"	52	8	
	0.13	60		2.2 / 1.1	650	6	650	6	0.9	32		55		
LG-1068A	0.17	50		3.0 / 1.5	800	8	700	7	1.3	46	PF 1-1/4"	61	11	
	0.28	60		3.2 / 1.6	1200	12	1000	10	1.6	57		63		
LG-2068A	0.4	50		6.0 / 3.0	1400	14	1200	12	1.4	49	PF 1-1/4"	61	12	
	0.5	60		6.2 / 3.1	1850	18	1600	16	1.7	60		63		
LG-3068A	0.8	50		12.0 / 6.2	1900	19	1500	15	2.4	85	PF 1-1/2"	66	17	
	0.9	60		12.4 / 6.2	2600	26	2000	20	2.7	95		69		
LG-406A	0.85	50		12.5 / 6.5	1900	19	1500	15	2.6	92	PF 1-1/2"	70	19	
	0.95	60		17.0 / 8.5	2500	25	2000	20	3.1	110		72		
LG-5068A	1.75	50		220	10.5	2800	28	2300	23	4.2	148	PF 2"	72	25
	1.9	60			12	3800	37	2600	26	4.6	163		76	
LG-6068A	2.2	50	16		3350	33	2600	26	6	212	PF 2"	75	39	
	2.6	60	19		4600	45	3300	32	6.5	230		78		
LG-7068A	3.7	50	20		3350	33	2600	26	6.5	230	PF 2"	75	40	
	4	60	24		4600	45	3300	32	7	247		78		

附註 / Remarks :

- 周圍環境溫度建議0°C以上 ~ 40°C以下。
The recommended ambient temperature is between 0°C and 40°C.
- 最高吸入空氣溫度建議60°C以下(標準型)，最高吸入空氣溫度建議250°C以下(隔熱型)。
For Standard models, the allowable intake temperature is below 60°C. For Heat-resistant models, the allowable intake temperature is below 250°C.
- 變頻使用範圍建議 30Hz ~ 60Hz
The recommended range for using a frequency converter is 30Hz~60Hz.
- 轉速：2800RPM(50Hz), 3500RPM(60Hz)。
Speed : 2800RPM(50Hz), 3500RPM(60Hz).
- 上述資料僅供參考，如有不同以實品為主。
The above data is for reference only. If there are any differences, please refer to the actual product.
- 本公司保有設計變更之權利，恕不另行通知。
We reserve the right to change the design without notice.
- 如有任何疑問請洽經銷商或本公司。
For more information, please contact the distributors or us.

環形鼓風機 Ring Blower

三相 THREE PHASE (3Ø)

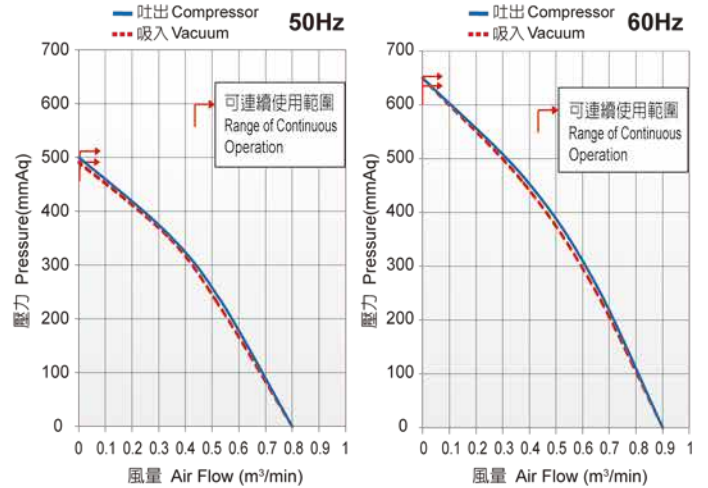
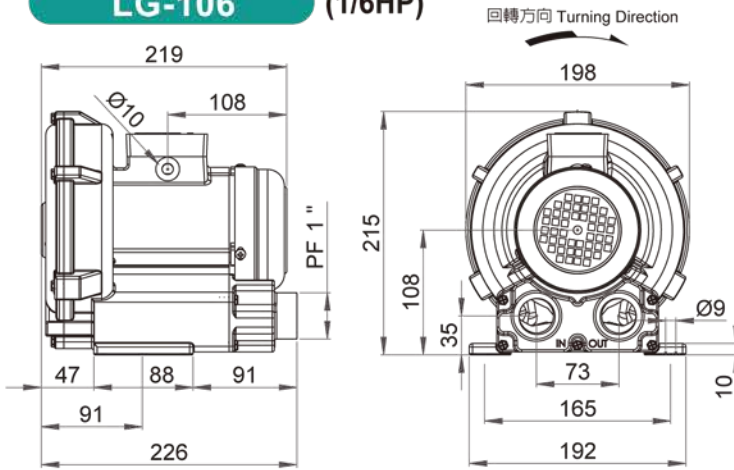


LG-2068

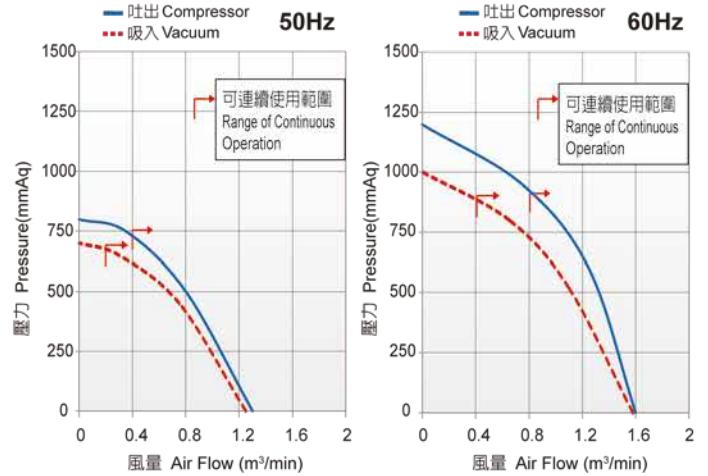
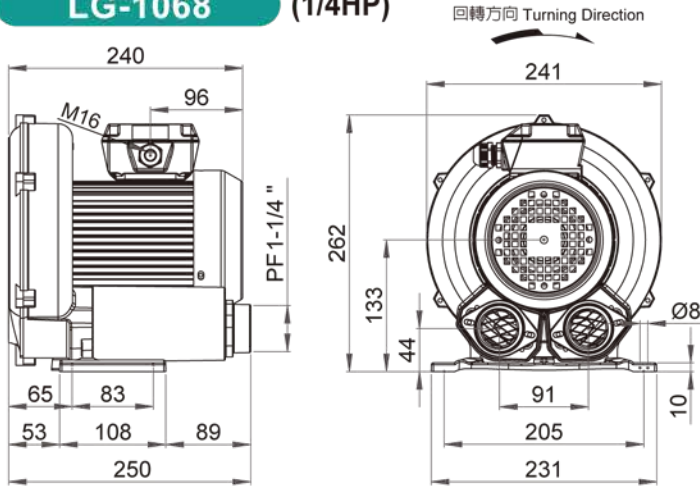
尺寸 DIMENSIONS 單位 Unit : mm

性能 PERFORMANCE CURVES

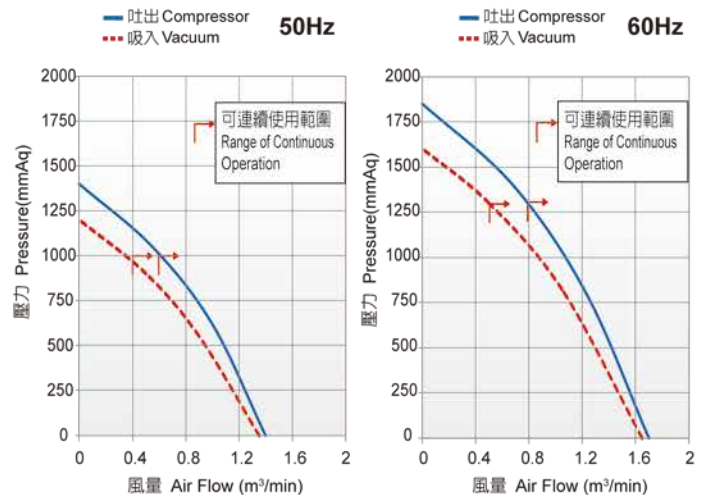
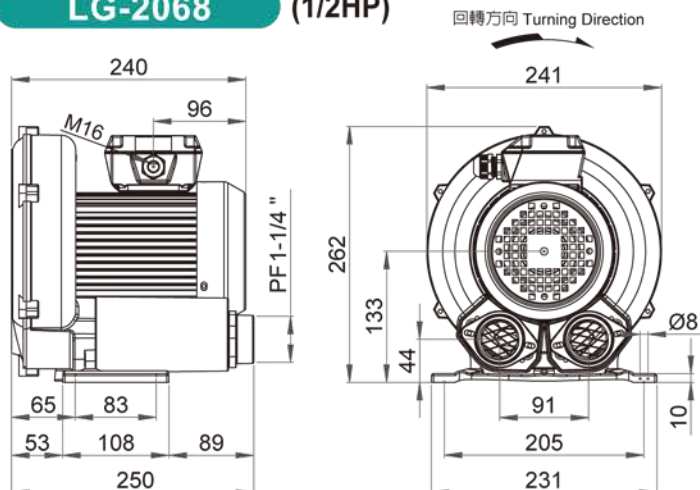
LG-106 (1/6HP)



LG-1068 (1/4HP)



LG-2068 (1/2HP)



三相 THREE PHASE (3Ø)



LG-3068

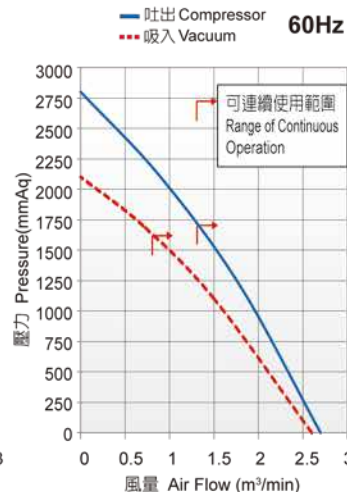
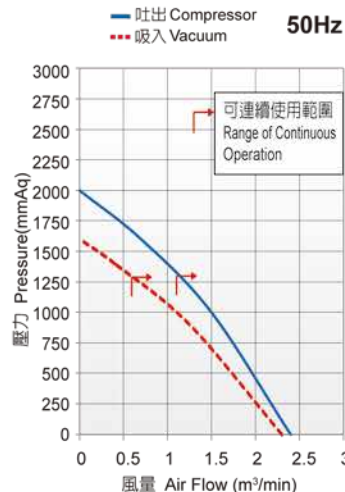
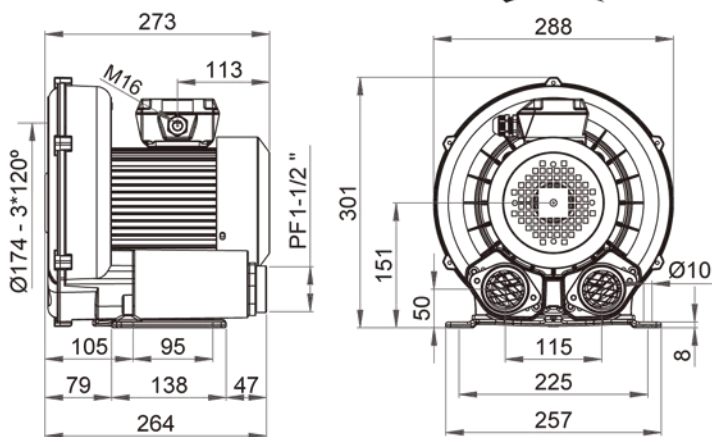
尺寸 DIMENSIONS 單位 Unit : mm

性能 PERFORMANCE CURVES

LG-3068

(1HP)

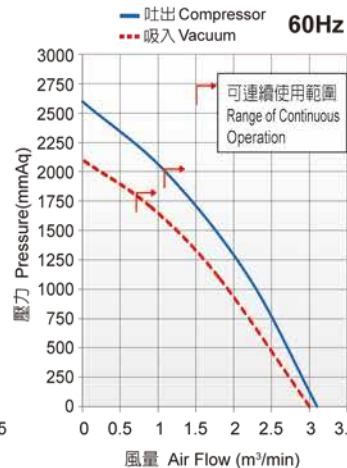
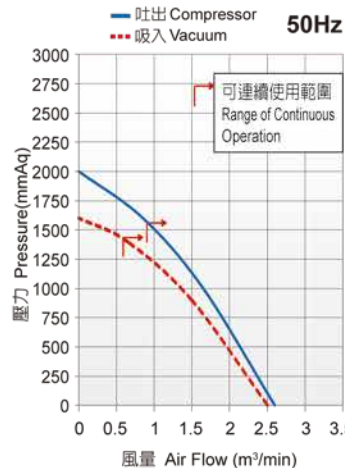
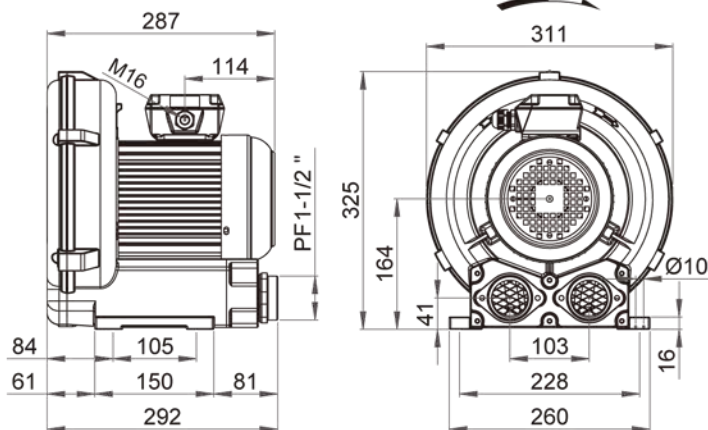
回轉方向 Turning Direction



LG-406

(1.5HP)

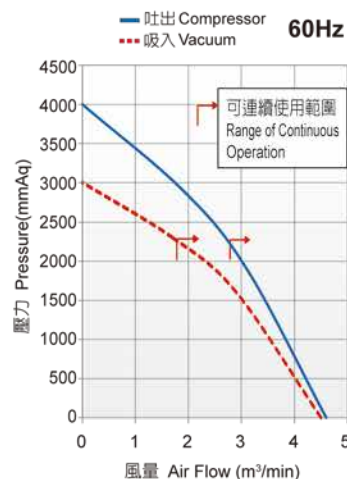
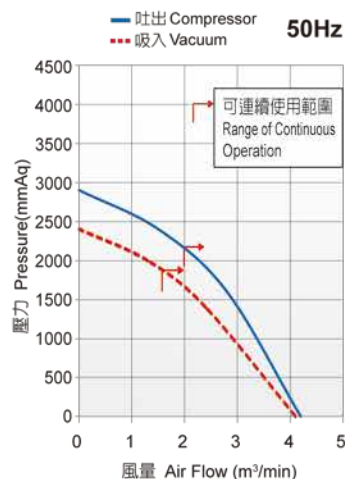
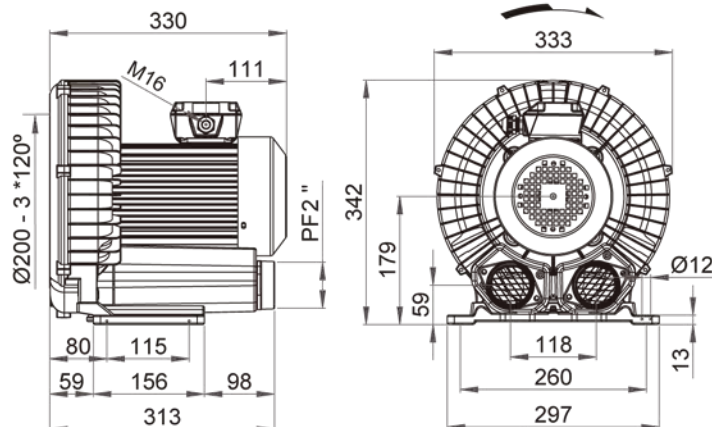
回轉方向 Turning Direction



LG-5068

(2.5HP)

回轉方向 Turning Direction



環形鼓風機 Ring Blower

三相 THREE PHASE (3Ø)

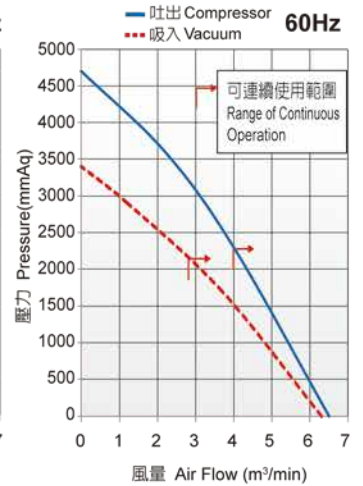
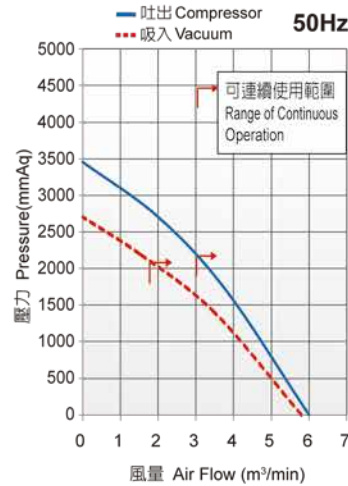
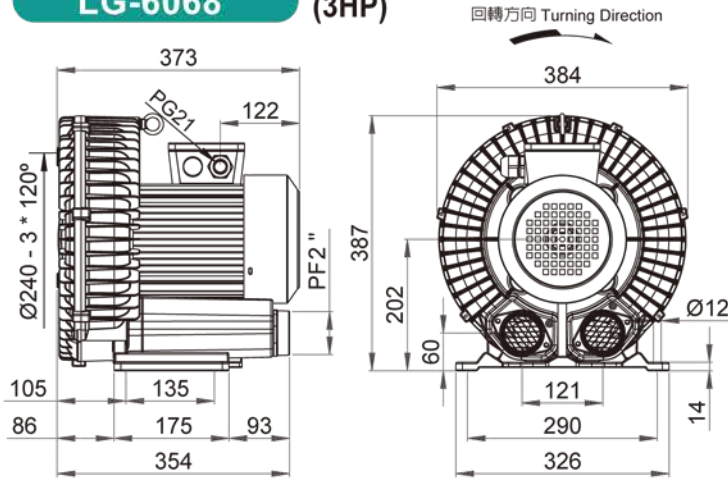


LG-5068

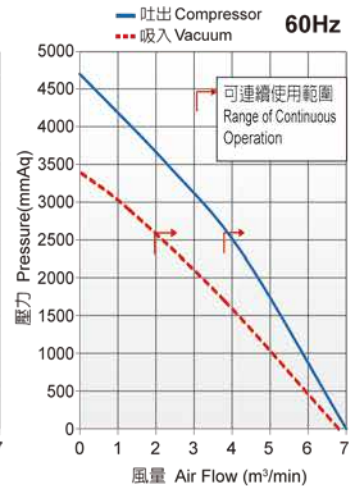
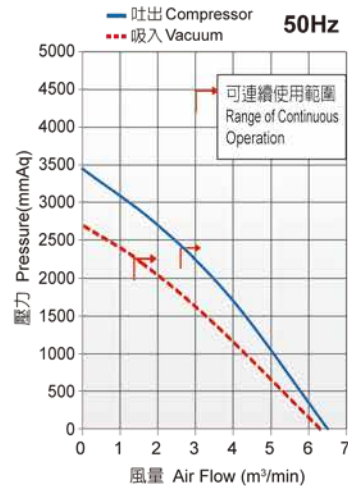
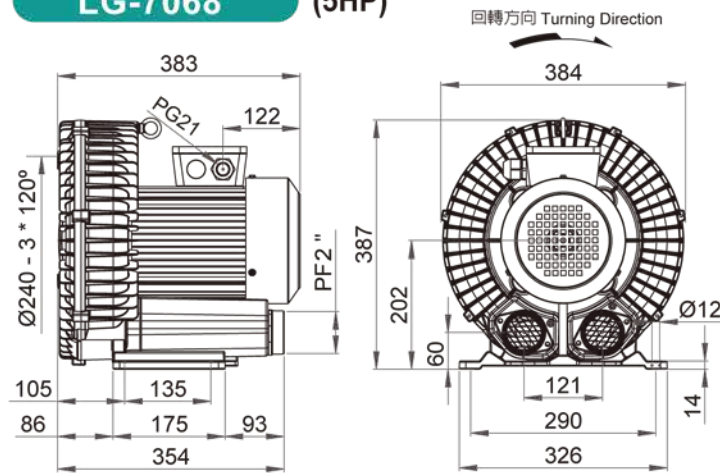
尺寸 DIMENSIONS 單位 Unit : mm

性能 PERFORMANCE CURVES

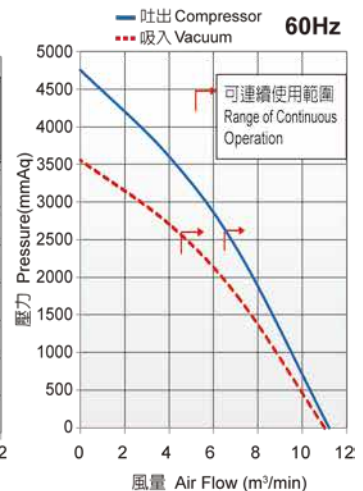
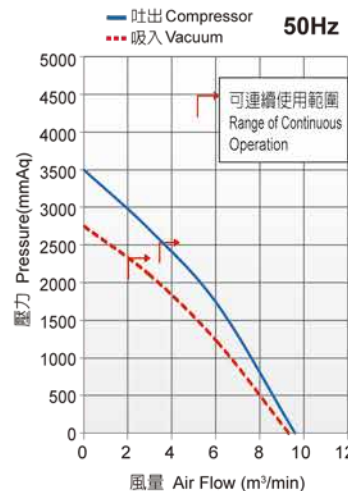
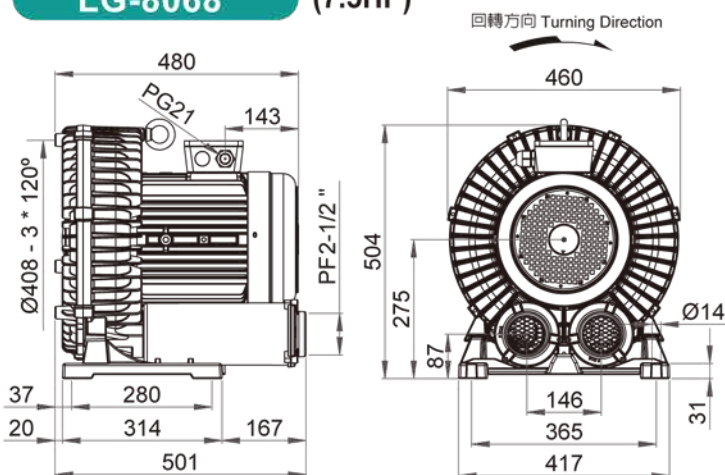
LG-6068 (3HP)



LG-7068 (5HP)



LG-8068 (7.5HP)



三相 THREE PHASE (3Ø)

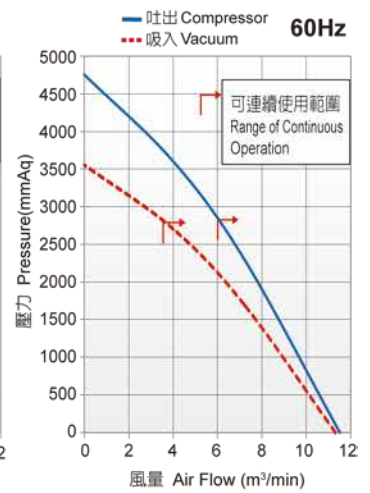
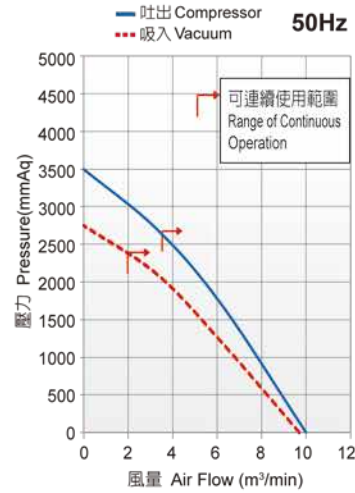
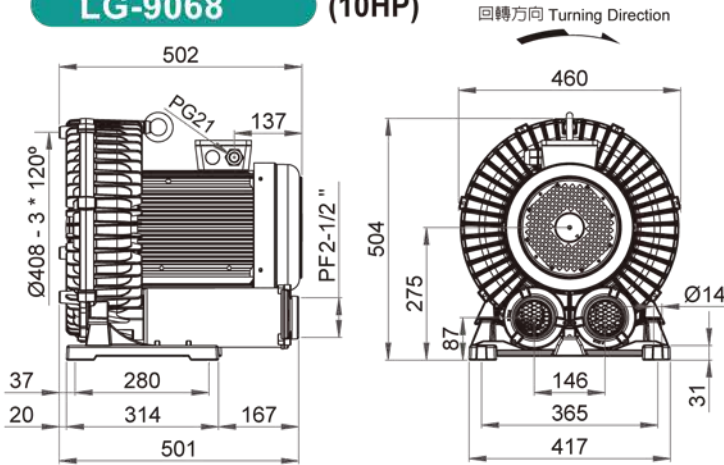


LG-8068

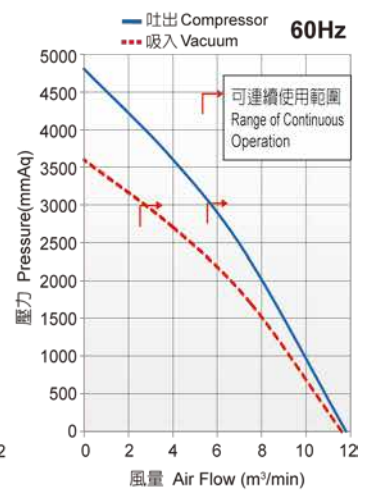
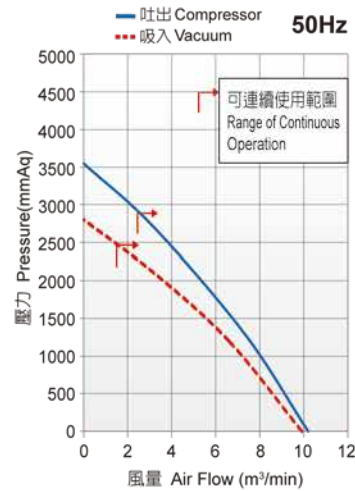
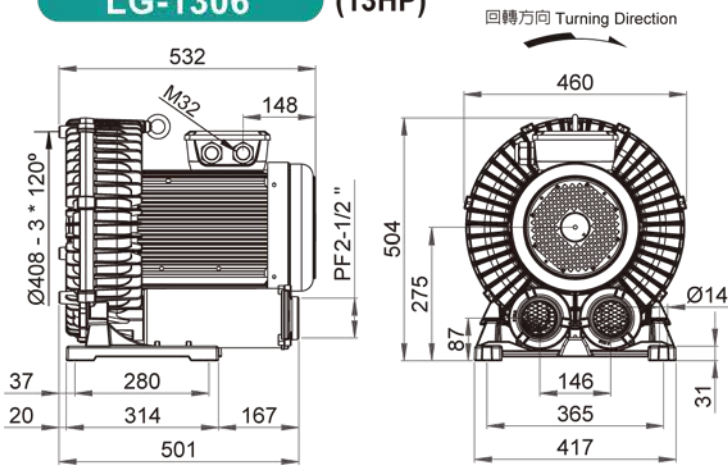
尺寸 DIMENSIONS 單位 Unit : mm

性能 PERFORMANCE CURVES

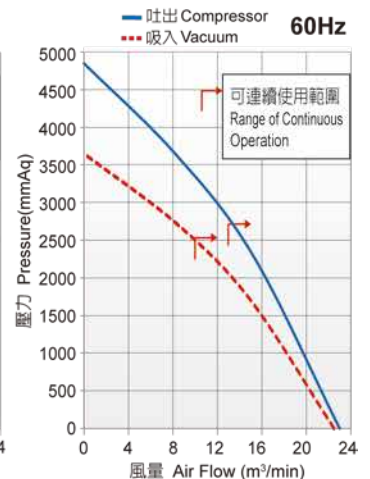
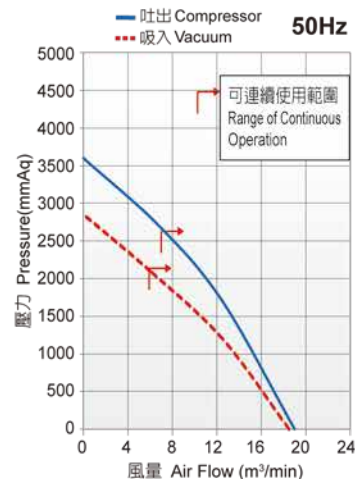
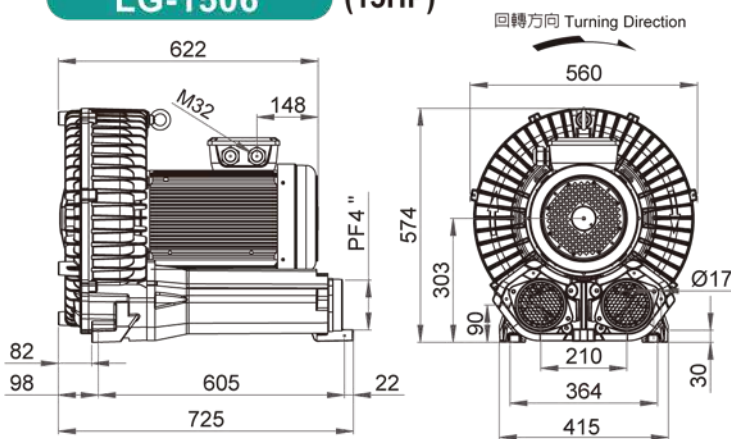
LG-9068 (10HP)



LG-1306 (13HP)



LG-1506 (15HP)



環形鼓風機 Ring Blower

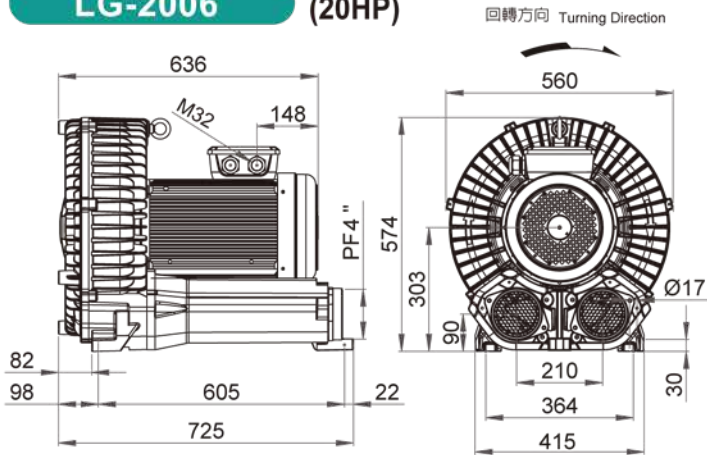
三相 THREE PHASE (3Ø)



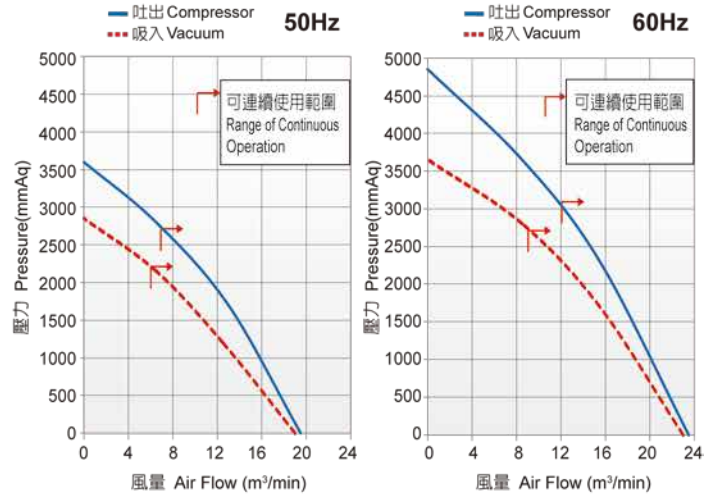
LG-2006

尺寸 DIMENSIONS 單位 Unit : mm

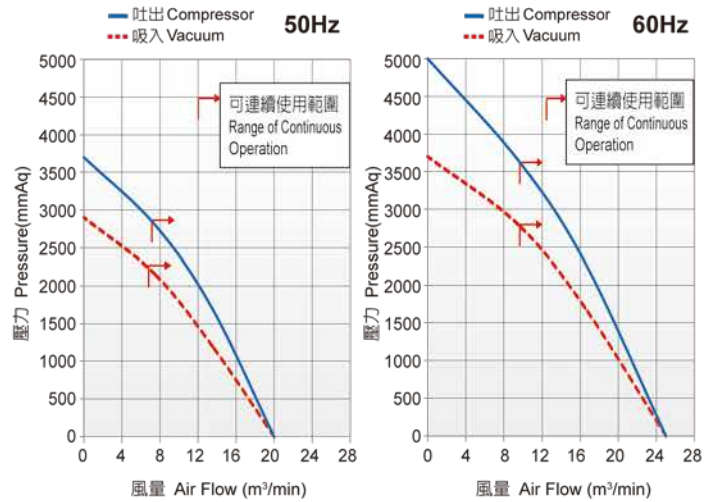
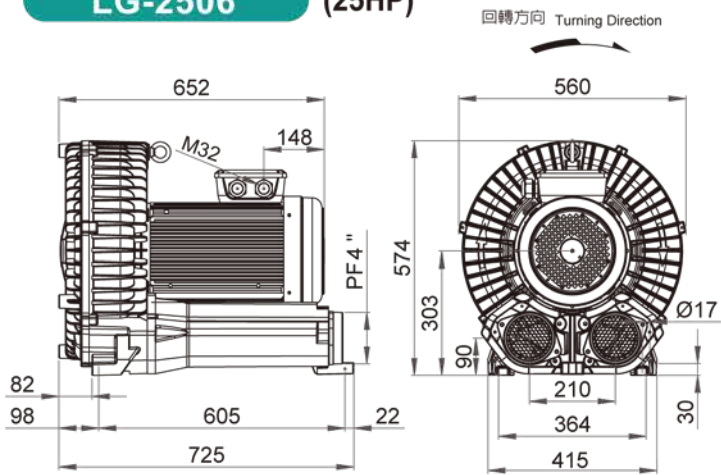
LG-2006 (20HP)



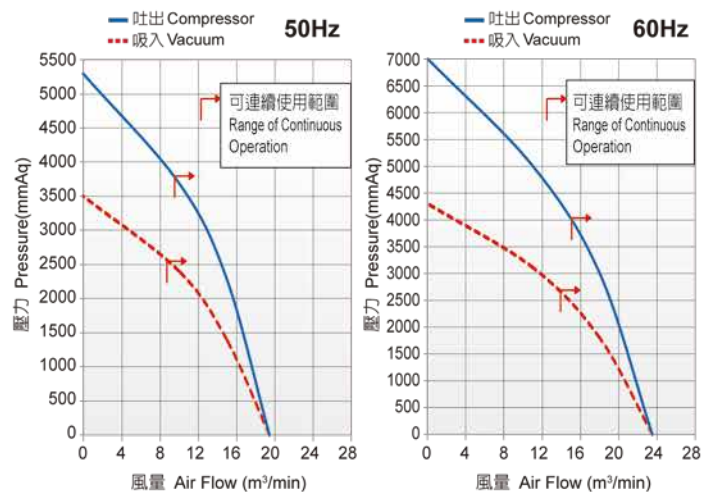
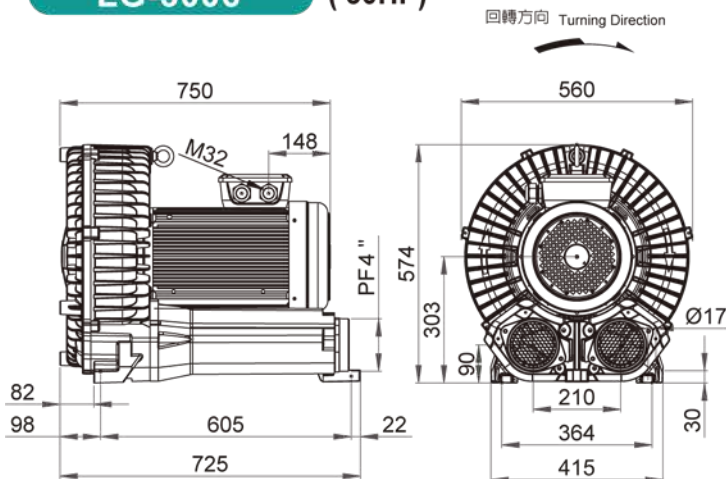
性能 PERFORMANCE CURVES



LG-2506 (25HP)



LG-3006 (30HP)



單相 SINGLE PHASE (1Ø)

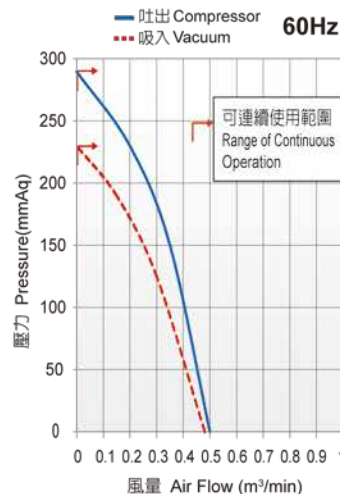
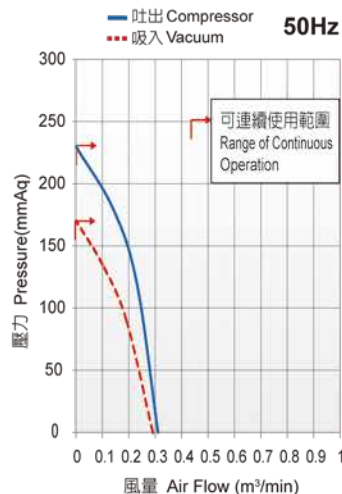
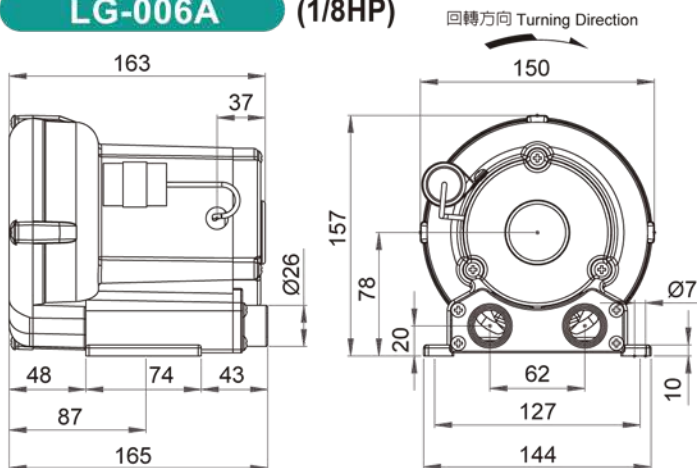


LG-2068A

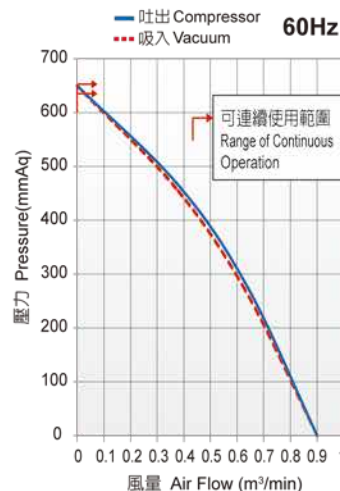
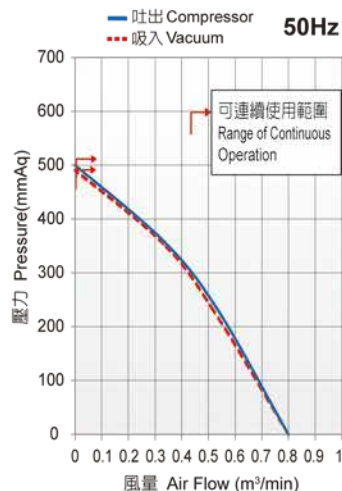
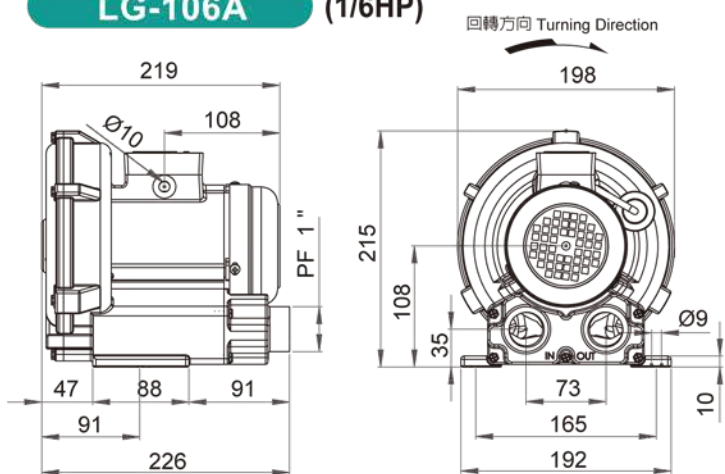
尺寸 DIMENSIONS 單位 Unit : mm

性能 PERFORMANCE CURVES

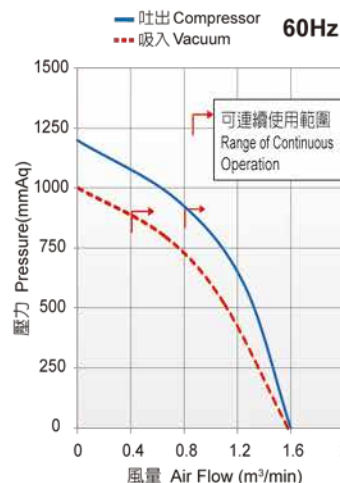
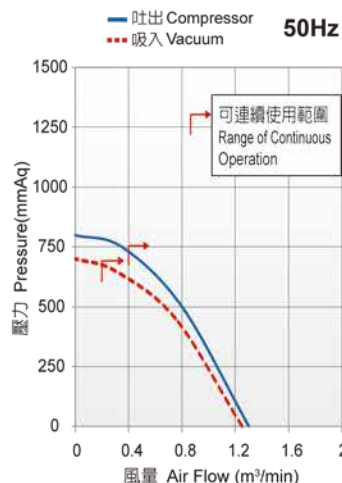
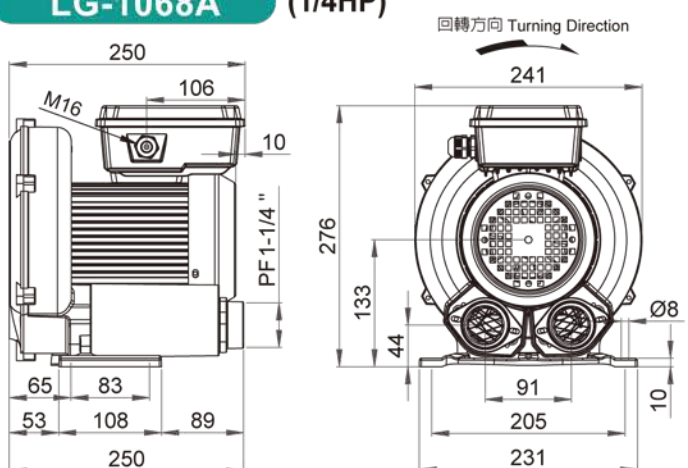
LG-006A (1/8HP)



LG-106A (1/6HP)



LG-1068A (1/4HP)



環形鼓風機 Ring Blower

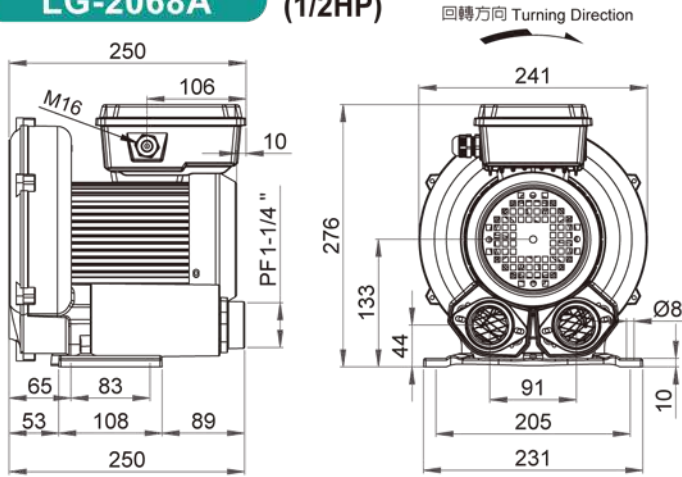
單相 SINGLE PHASE (1Ø)



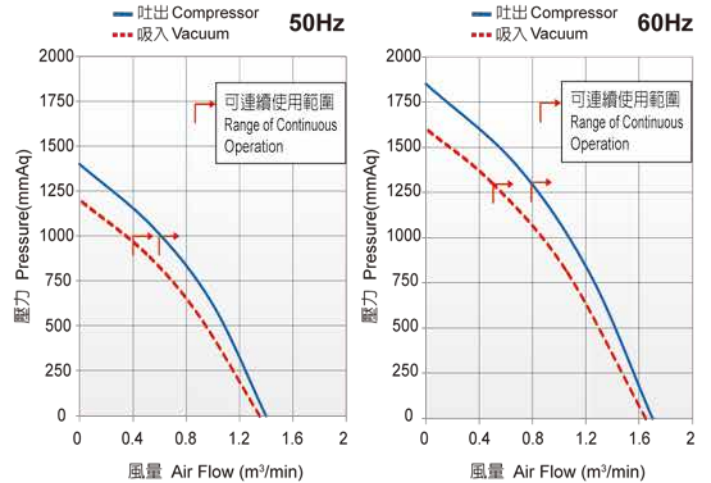
LG-3068A

尺寸 DIMENSIONS 單位 Unit : mm

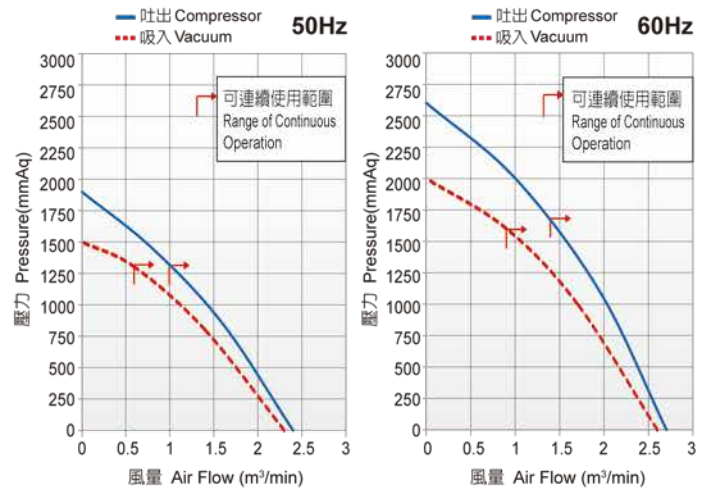
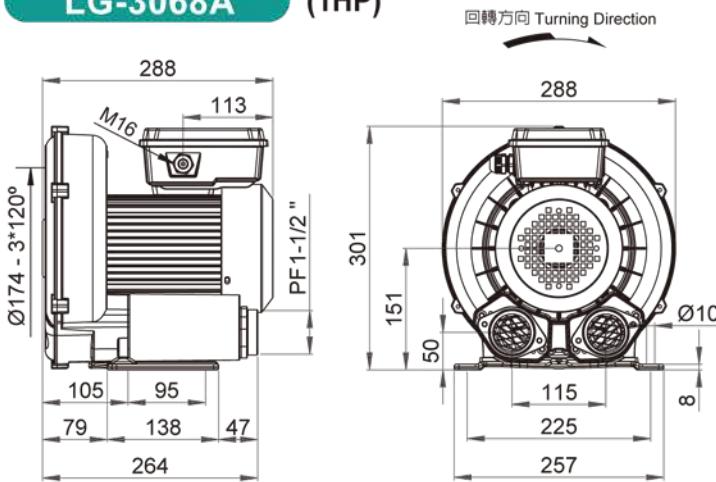
LG-2068A (1/2HP)



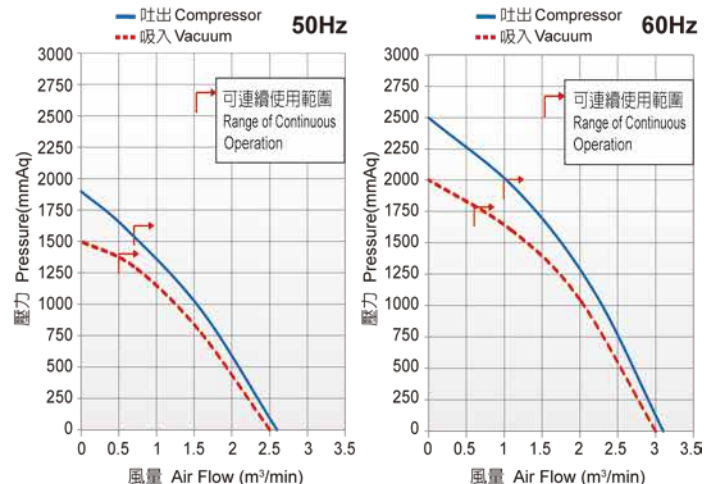
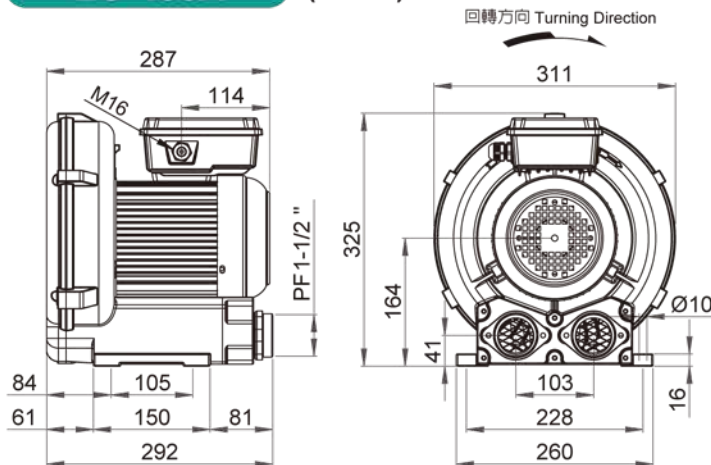
性能 PERFORMANCE CURVES



LG-3068A (1HP)



LG-406A (1.5HP)



單相 SINGLE PHASE (1Ø)

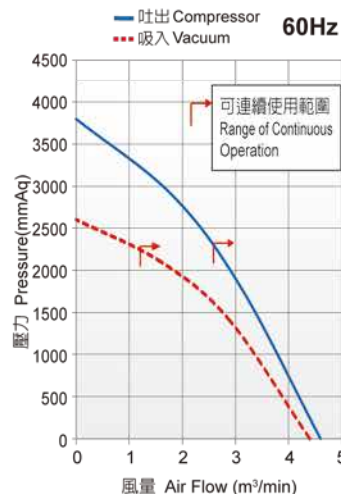
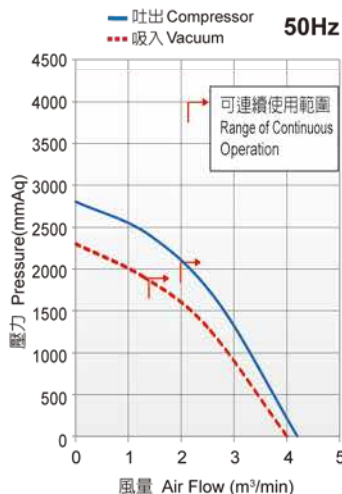
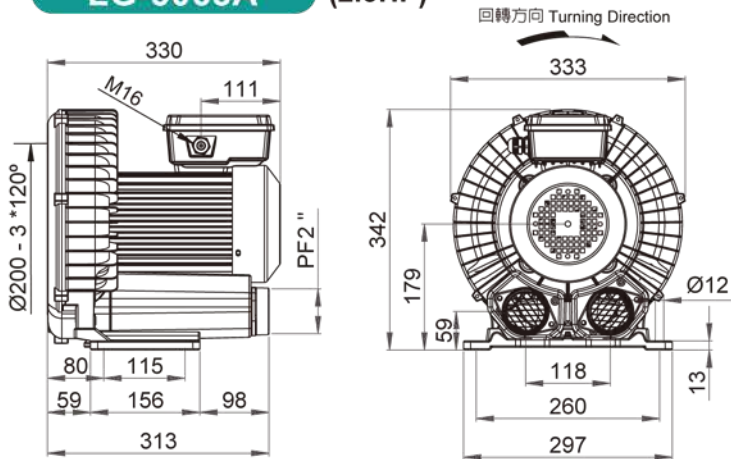


LG-7068A

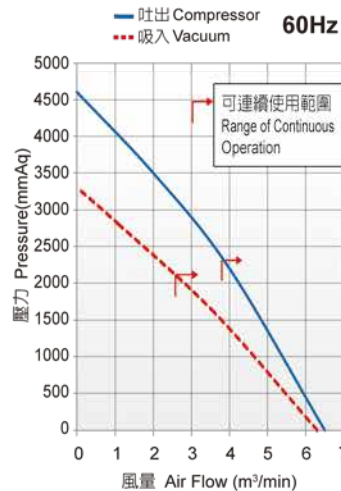
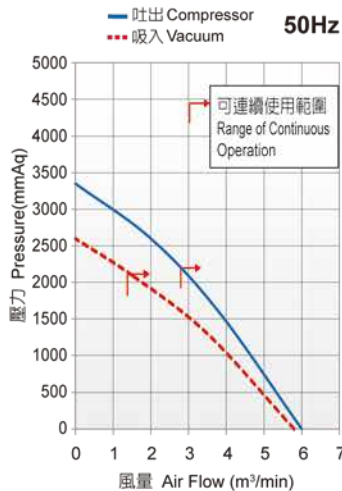
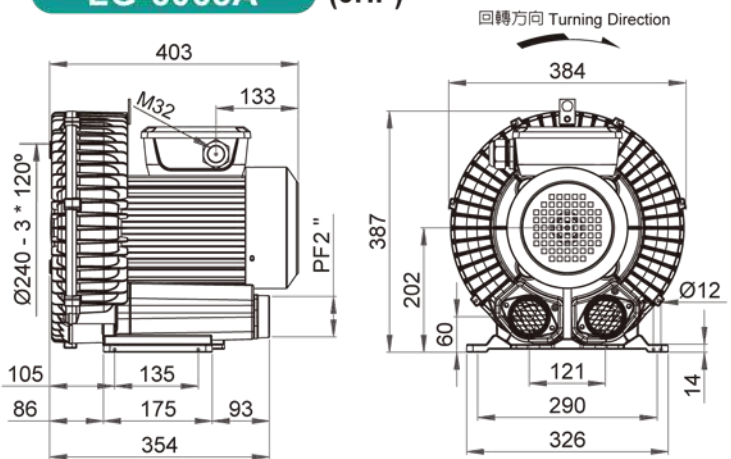
尺寸 DIMENSIONS 單位 Unit : mm

性能 PERFORMANCE CURVES

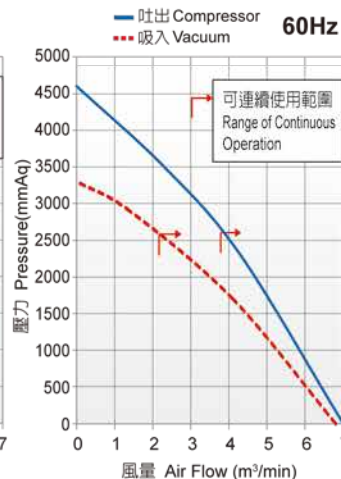
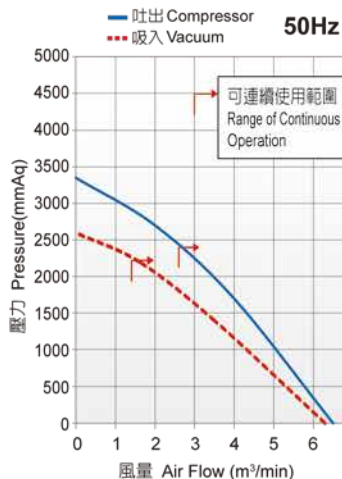
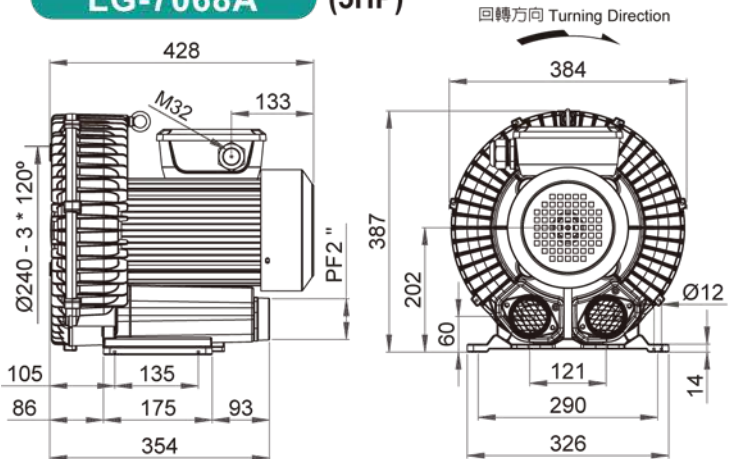
LG-5068A (2.5HP)



LG-6068A (3HP)



LG-7068A (5HP)



加長隔熱型環形鼓風機 Heat-resistant Ring Blower

Pole(極數):2P

三相 (Three Phase, 3Ø)

型號 TYPE	功率 Power	頻率 Frequency	電壓 Voltage	額定電流 Current	最大吐出壓力 Max. Pressure		最大真空壓力 Max. Vacuum		最大風量 Max. Airflow		口徑 (入、出) In/Out	噪音 Noise Level	重量 Approx. Weight
	kW	Hz	V	A	mmAq	kPa	mmAq	kPa	m³/min	CFM	Inch	dB(A)	KG
LG-2068DL	0.4	50	220/380	1.8 / 1.0	1400	14	1200	12	1.4	49	PF 1-1/4"	61	13
	0.5	60		2.2 / 1.3	1850	18	1600	16	1.7	60		63	
LG-3068DL	0.8	50		3.7 / 2.1	2000	20	1600	16	2.4	85	PF 1-1/2"	66	16
	0.9	60		4.2 / 2.4	2800	28	2100	21	2.7	95		69	
LG-5068DL	1.75	50		7.2 / 4.2	2900	29	2400	24	4.2	148	PF 2"	72	26
	1.9	60		7.9 / 4.5	4000	39	3000	30	4.6	163		76	
LG-6068DL	2.2	50		10.8 / 6.1	3450	34	2700	27	6	212	PF 2"	75	36
	2.6	60		10.8 / 6.2	4700	46	3400	33	6.5	230		78	
LG-7068DL	3.7	50		11.5 / 6.3	3450	34	2700	27	6.5	230	PF 2"	75	39
	4	60		13.5 / 7.8	4700	46	3400	33	7	247		78	
LG-8068DL	5.5	50		21.8 / 12.3	3500	34	2750	27	9.6	339	PF 2-1/2"	76	86
	6	60		24.0 / 13.9	4750	47	3550	35	11.2	396		84	
LG-9068DL	7.5	50		24.0 / 14.1	3500	34	2750	27	10	353	PF 2-1/2"	76	89
	8	60		30.7 / 17.7	4750	47	3550	35	11.5	406		84	
LG-1306DL	9	50		25.0 / 15.0	3550	35	2800	27	10.2	360	PF 2-1/2"	76	96
	10	60		33.2 / 19.2	4800	47	3600	35	11.8	417		84	
LG-1506DL	11	50		38.7 / 21.0	3600	35	2850	28	19	671	PF 4"	82	138
	12	60		45.0 / 26.0	4850	48	3650	36	23	813		87	
LG-2006DL	14	50		43.6 / 24.4	3600	35	2850	28	19.5	689	PF 4"	82	141
	15	60		61.0 / 35.3	4850	48	3650	36	23.5	830		87	
LG-2506DL	17	50	58.5 / 35.0	3700	36	2900	29	19.5	689	PF 4"	82	158	
	18.5	60	70.5 / 40.5	5000	49	3700	36	23.5	830		87		
LG-3006DL	20	50	67.0 / 39.0	5300	52	3500	34	19.5	689	PF 4"	82	168	
	22	60	76.0 / 44.0	7000	69	4300	42	23.5	830		87		

單相 (Single Phase, 1Ø)

型號 TYPE	功率 Power	頻率 Frequency	電壓 Voltage	額定電流 Current	最大吐出壓力 Max. Pressure		最大真空壓力 Max. Vacuum		最大風量 Max. Airflow		口徑 (入、出) In/Out	噪音 Noise Level	重量 Approx. Weight
	kW	Hz	V	A	mmAq	kPa	mmAq	kPa	m³/min	CFM	Inch	dB(A)	KG
LG-2068A-DL	0.4	50	110/220	6.0 / 3.0	1400	14	1200	12	1.4	49	PF 1-1/4"	61	14
	0.5	60		6.2 / 3.1	1850	18	1600	16	1.7	60		63	
LG-3068A-DL	0.8	50		12.0 / 6.2	1900	19	1500	15	2.4	85	PF 1-1/2"	66	18
	0.9	60		12.4 / 6.2	2600	26	2000	20	2.7	95		69	
LG-5068A-DL	1.75	50	220	10.5	2800	28	2300	23	4.2	148	PF 2"	72	27
	1.9	60		12	3800	37	2600	26	4.6	163		76	
LG-6068A-DL	2.2	50		16	3350	33	2600	26	6	212	PF 2"	75	40
	2.6	60		19	4600	45	3300	32	6.5	230		78	
LG-7068A-DL	3.7	50		20	3350	33	2600	26	6.5	230	PF 2"	75	41
	4	60		24	4600	45	3300	32	7	247		78	

附註 / Remarks : 1. 最高吸入空氣溫度建議60°C以下(標準型), 最高吸入空氣溫度建議250°C以下(隔熱型)。

For Standard models, the allowable intake temperature is below 60°C. For Heat-resistant models, the allowable intake temperature is below 250°C.

2. 變頻使用範圍建議 30Hz ~ 60Hz. The recommended range for using a frequency converter is 30Hz~60Hz.

3. 上述資料僅供參考, 如有不同以實品為主。The above data is for reference only. If there are any differences, please refer to the actual product.

4. 本公司保有設計變更之權利, 恕不另行通知。We reserve the right to change the design without notice.

三相 THREE PHASE (3Ø)

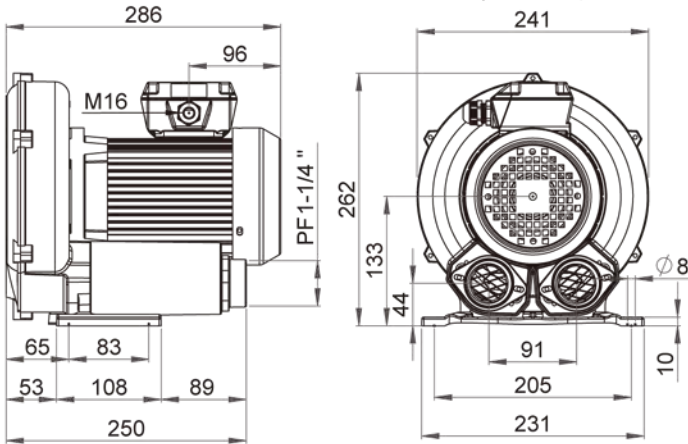


LG-2068DL

尺寸 DIMENSIONS 單位 Unit : mm

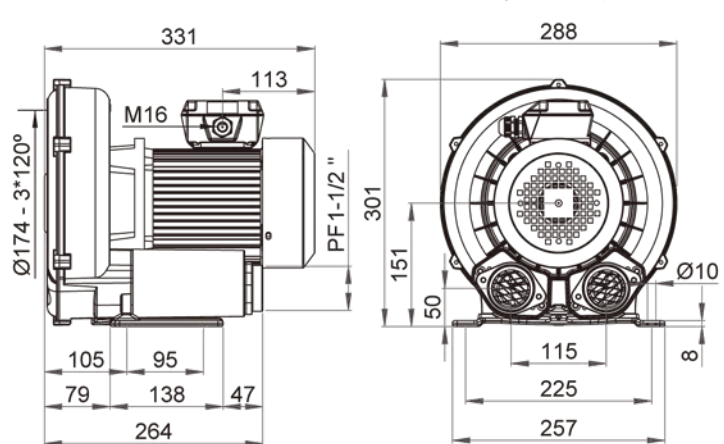
LG-2068DL (1/2HP)

回轉方向 Turning Direction



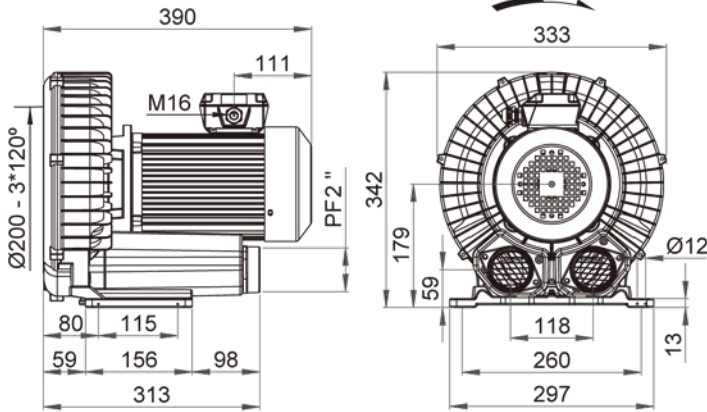
LG-3068DL (1HP)

回轉方向 Turning Direction



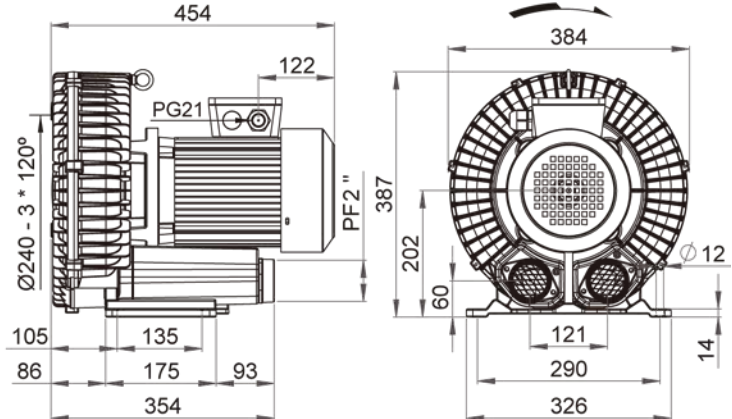
LG-5068DL (2.5HP)

回轉方向 Turning Direction



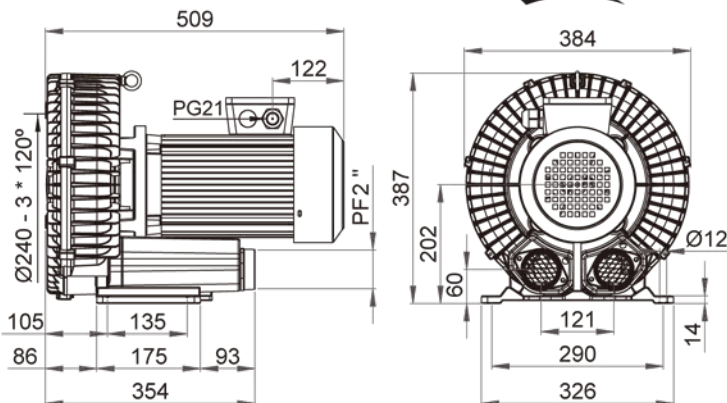
LG-6068DL (3HP)

回轉方向 Turning Direction



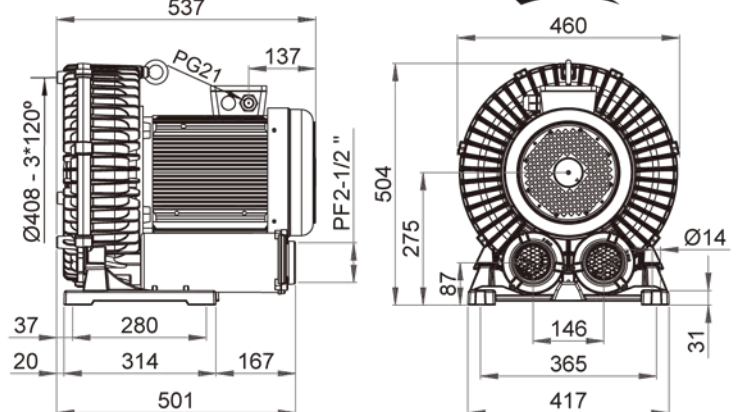
LG-7068DL (5HP)

回轉方向 Turning Direction



LG-8068DL (7.5HP)

回轉方向 Turning Direction



加長隔熱型環形鼓風機 Heat-resistant Ring Blower

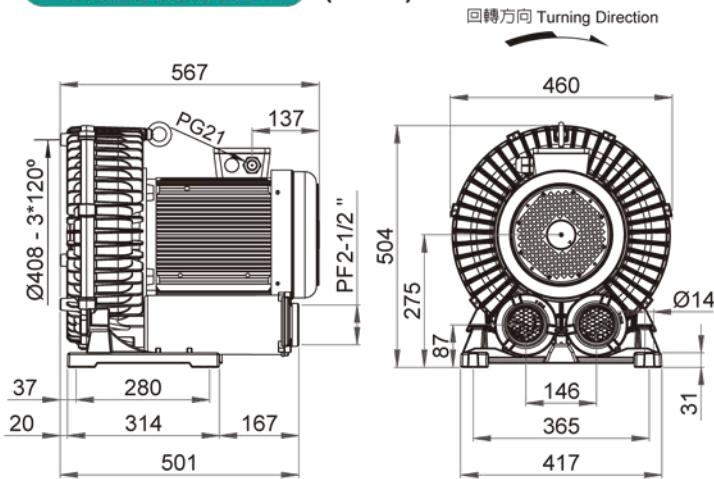
三相 THREE PHASE (3Ø)



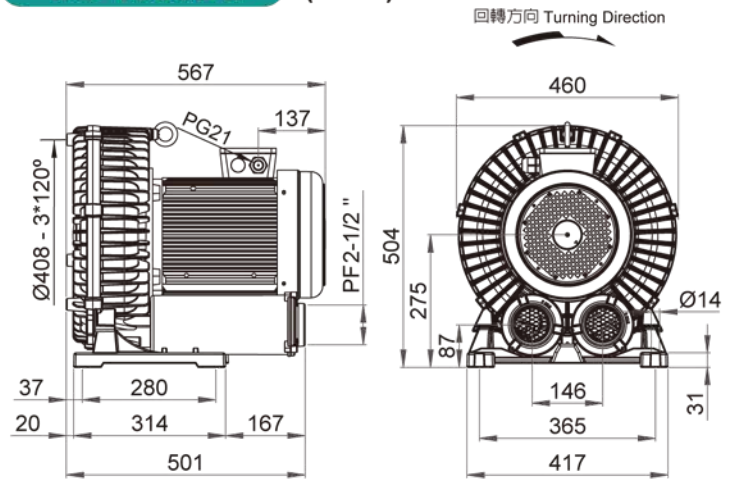
LG-3068DL

尺寸 DIMENSIONS 單位 Unit : mm

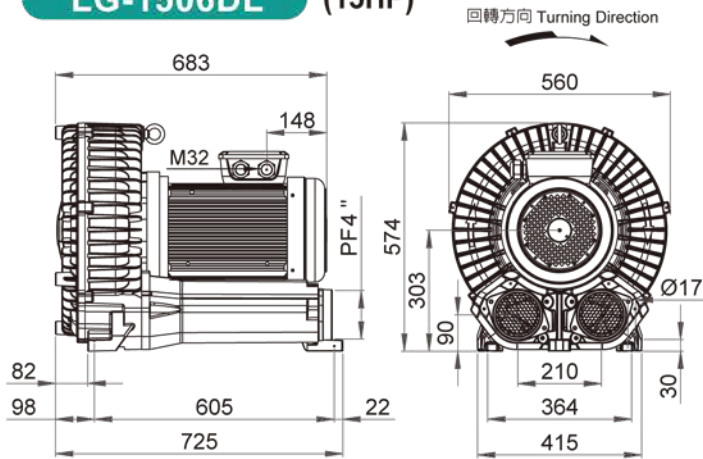
LG-9068DL (10HP)



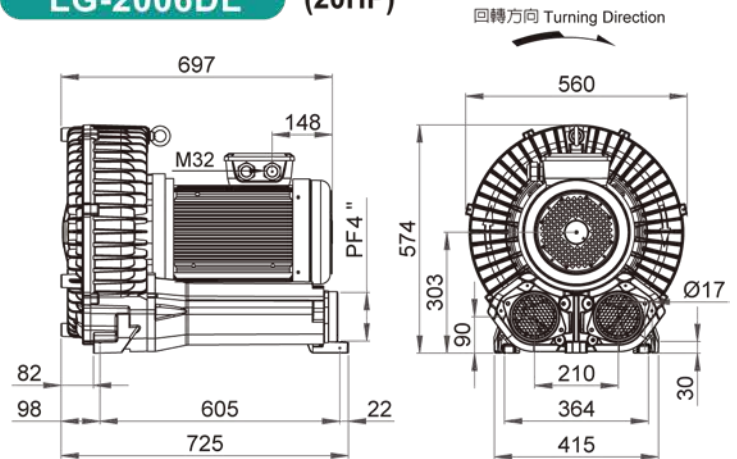
LG-1306DL (13HP)



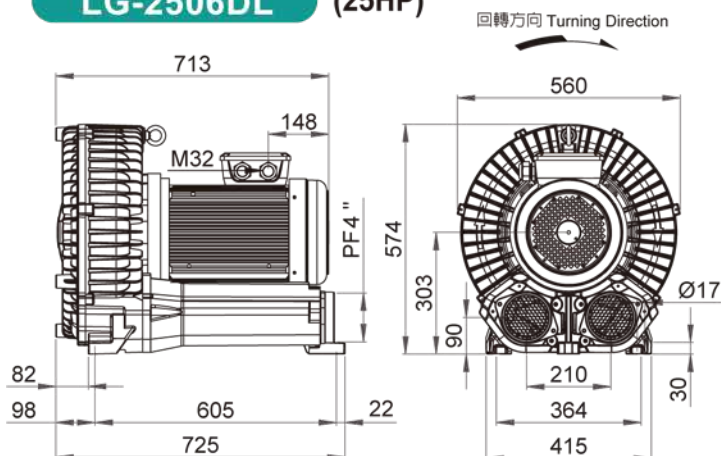
LG-1506DL (15HP)



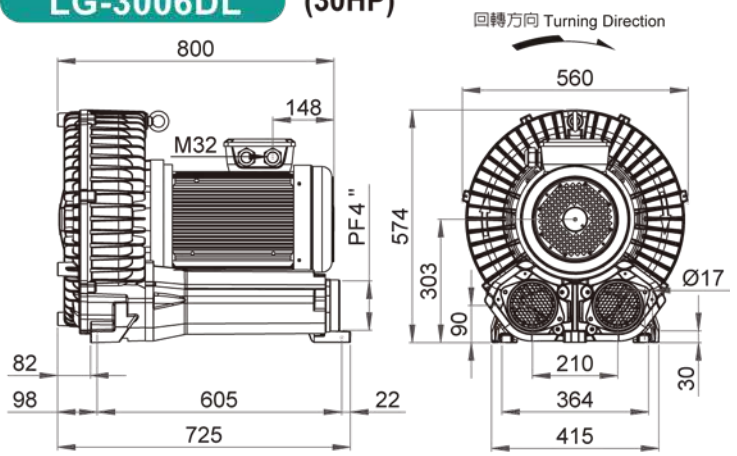
LG-2006DL (20HP)



LG-2506DL (25HP)



LG-3006DL (30HP)



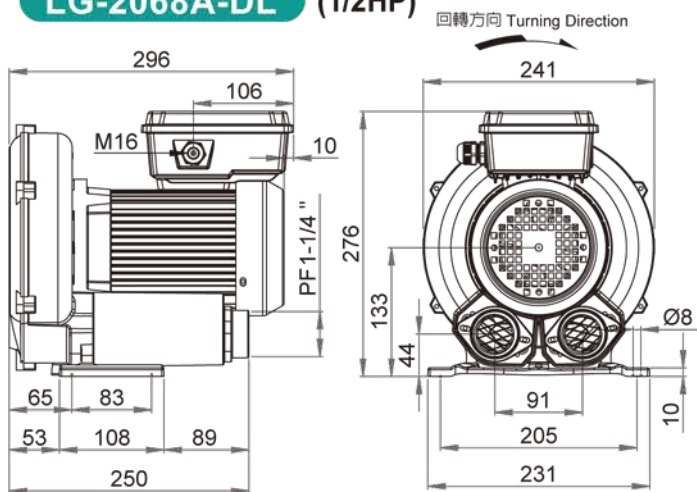
單相 SINGLE PHASE (1Ø)



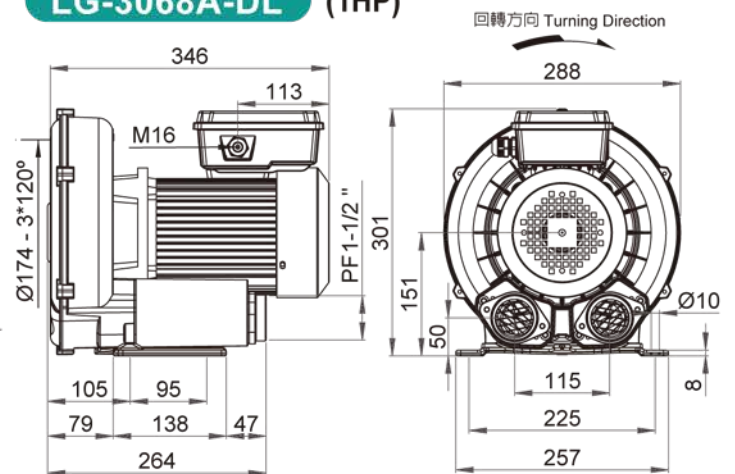
LG-2068A-DL

尺寸 DIMENSIONS

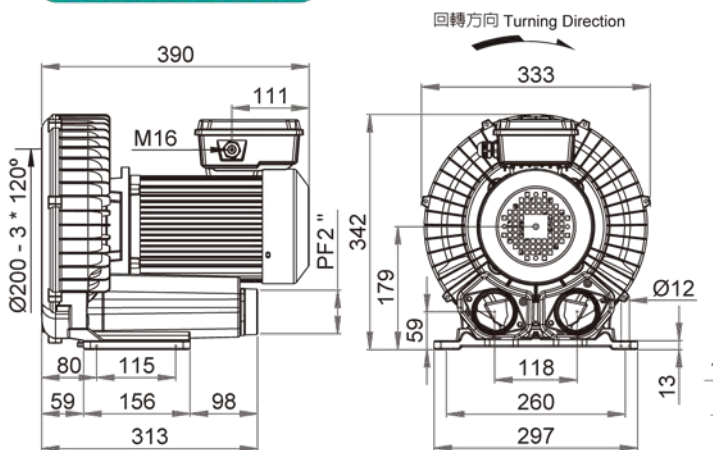
LG-2068A-DL (1/2HP)



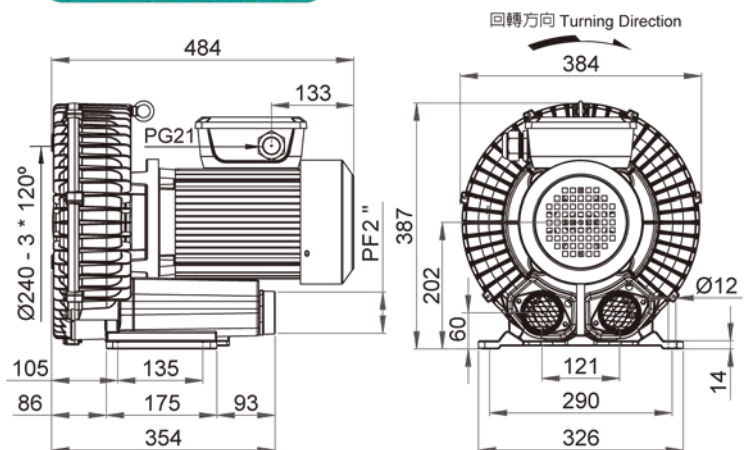
LG-3068A-DL (1HP)



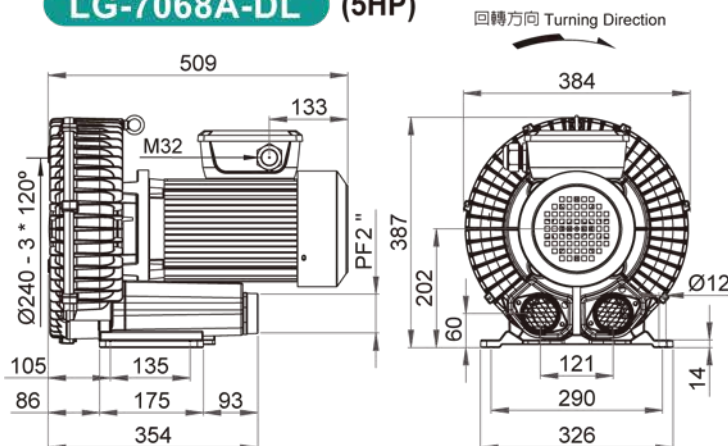
LG-5068A-DL (2.5HP)



LG-6068A-DL (3HP)



LG-7068A-DL (5HP)



LG-3068A-DL



LG-7068A-DL

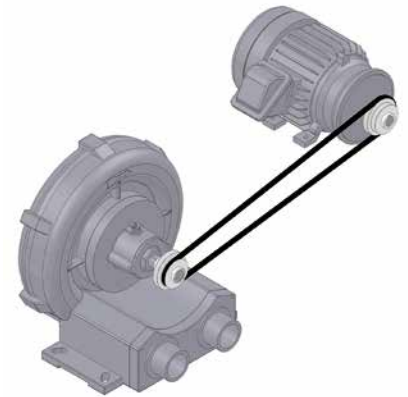
無馬達式鼓風機 Bare shaft blower

可客製
Customized service



1. 無馬達設計，可搭配皮帶輪與皮帶，驅動心軸與葉輪運轉，最高轉速可達 4,000RPM。
2. 鼓風機本體為鋁合金鑄造，相較於鐵殼製鼓風機，更堅固耐用。
3. 軸承潤滑油脂為可填充設計，軸承平均使用壽命為 6,000 小時。
4. 鼓風機內部有油封設計，軸承不會因進水而損壞。
5. 馬達與鼓風機本體分離，如有故障問題，拆卸簡單，維修容易。

1. Designed without a motor, it can be matched with a motor or machine, with the belt and pulley to drive the impeller to run and generate continuous airflow, with a maximum speed of up to 4,000RPM.
2. The blower body is made of aluminum alloy casting, which is more sturdy and durable compared to iron-cased blowers.
3. The bearing lubricating grease is designed to be refillable, and the average service life of the bearing is 6,000 hours.
4. There is an oil seal design inside the blower and the bearings will not be damaged due to water ingress.
5. The motor is separated from the blower body, and if there is a malfunction, they can be easily disassembled and repaired.



防爆馬達鼓風機 Explosion Proof Blower

可客製
Customized service

1. 防爆馬達已通過"工研院"認證
2. 防爆馬達已通過 UL. CSA 認證
3. 採用鋁合金材質，輕量化，使用壽命長
4. 高風壓、低震動、低噪音
5. 無油、無污染
6. 符合高效率、低耗能之標準，減少能源成本的支出。
7. 所有規格可客製
8. 用於石油天然氣、石油化工、化學工業、燃氣輪機、沼氣發電、醫藥等。

1. The explosion proof motor has been certified by the Industrial Technology Research Institute.
2. The explosion-proof motor has been certified by UL and CSA. Made of aluminum alloy, lightweight and long service life
3. High pressure, low vibration, low noise
4. Oil-free and pollution-free
5. Meet the standards of high efficiency and low energy consumption, and reduce energy costs.
6. All specifications can be customized
7. Applied to Oil and Gas, Petrochemical, Chemical industry, Gas turbine, Biogas power generation, Pharmaceutical chemistry, etc.



洩壓閥 (風壓風量調節閥) Pressure release valve (Adjusting air flow and pressure)

安裝示意圖 Installation Diagram

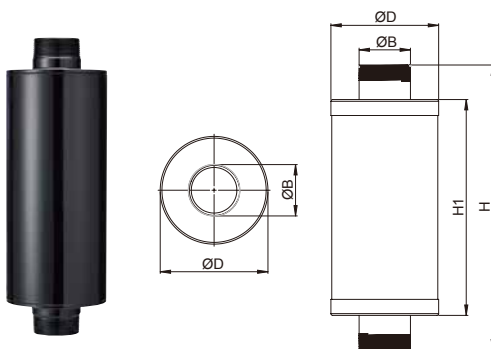


型號 Model No.	螺紋 Thread Dia. PT	口徑 Caliber (mm)	總長度 Length (mm)	壓力範圍 Pressure range (mm)	適用機型 Suitable for Models No.
BHB-LP01-1.0	1-1/4"	62	137	500-2000	2068(A)
BHB-LP01-1.2				2000-3000	3068(A) -1306
BHB-LP01-1.4				3000+	1506 - 3006

1. 整體為鋁合金製造，可耐至攝氏250°C之高溫，堅固、耐用、性能可靠。
2. 釋放鼓風機多餘的壓力，使鼓風機馬達維持在安全電流值內使用，以避免馬達過載。
3. 安裝於鼓風機出、入口端的外接金屬管側，為吸、吐兩用洩壓閥。

1. It is made of aluminum alloy, which can withstand high temperatures up to 250°C. It is strong, durable and reliable
2. Release excess pressure from the blower and keep the motor within a safe current value to avoid motor overload.
3. Installed on the side of the external metal pipe at the inlet and outlet of the blower, it is a dual purpose pressure relief valve for suction and discharge.

消音器 Silencer



型號 Model No.	口徑 B PT	外徑 D (mm)	消音管長度 H1 (mm)	總長度 H (mm)	適用機型 Suitable for Models No.
ES-1-1/2	1-1/2"	108	208	275	3068(A)-406(A)
ES-2	2"	127	290	370	5068(A)-7068(A)
ES-2-1/2	2-1/2"	127	295	375	8068-1306
ES-4	4"	175	485	560	1506-3006

1. 此裝置可用於鼓風機的出、入口端或管路末端，針對需要降低噪音的客戶設計。
2. 外殼採用鋁合金製造 (ES-4除外)，消音器兩端皆有螺紋。
3. 安裝方便，堅固耐用，壽命長，不影響風量、壓力。

1. This device can be used at the inlet and outlet of the blower or at the end of the pipeline. It is designed for customers who need to reduce noise.
2. The shell is made of aluminum alloy (Except ES-4), and both ends of the silencer have threads.
3. Easy to install, sturdy and durable, with a long service life, without affecting air flow and pressure.

空氣過濾器 Air Filter

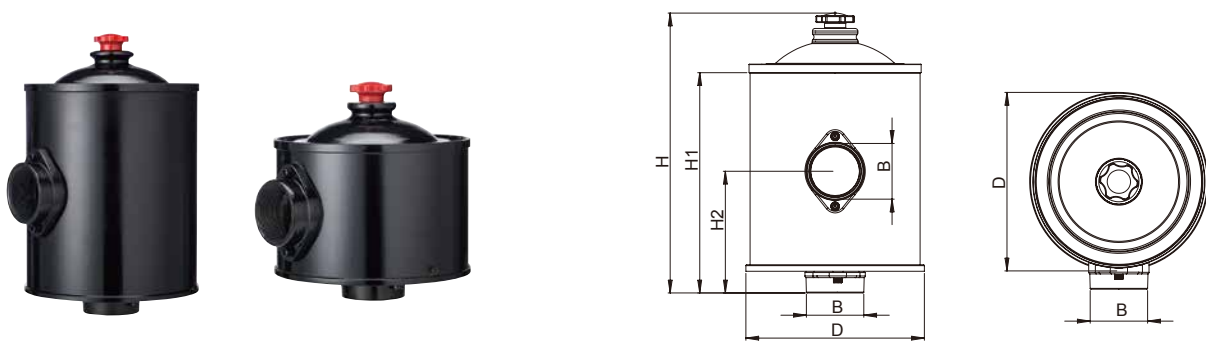


型號 Model No.	口徑 Caliber PT	螺孔外徑 B (mm)	外徑 D (mm)	濾網長度 H1 (mm)	總長度 H (mm)	過濾精度 (目) mesh	概略重量 Weight (kg)
MF-8	1"	46	61	159	169	100目	0.24
MF-10	1-1/4"	52	75	171	181		0.32
MF-12	1-1/2"	60	85	186	195		0.40
MF-16	2"	73	107	201	211		0.60
MF-20	2-1/2"	90	148	247	275		1.55
MF-32	4"	146	210	350	365		3.37

- 當鼓風機**送風**時，鼓風機**入風口**端應加裝空氣過濾器。
- 可有效的過濾環境中的粉塵和雜質，以避免因吸入異物或管路阻塞所造成機身破裂、葉輪斷裂、機體異常震動、馬達故障等狀況發生。
- 濾網採用不銹鋼材質，可清潔重複使用。

- When the blower need to **supply air**, an air filter should be installed **at the inlet of the blower**.
- It can effectively filter dust and impurities in the environment to avoid body rupture, impeller breakage, abnormal vibration of the body, and motor failure caused by inhalation of foreign objects or pipeline blockage.
- The filter screen is made of stainless steel, which can be cleaned and reused.

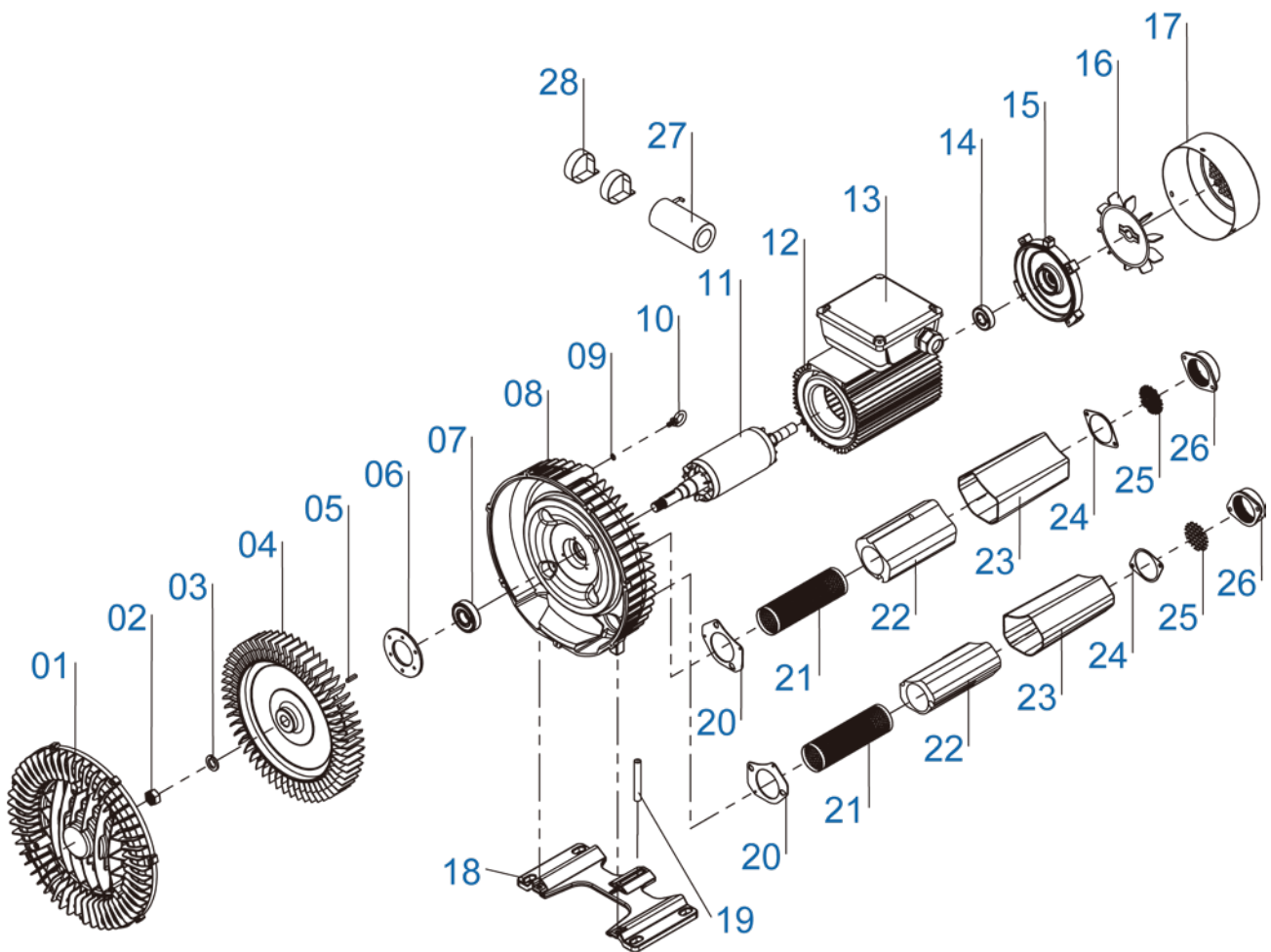
管路過濾器 Pipeline filter



型號 Model No.	口徑 Caliber PT	外徑 D (mm)	螺孔高度 H2 (mm)	濾網長度 H1 (mm)	總長度 H (mm)	過濾精度 (μ m)	概略重量 Weight (kg)
ATT-PS-1-1/2"	1-1/2"	210	98	160	230	5	4.0
ATT-PS-2"	2"	210	148	263	335		5.0
ATT-PS-2.5"	2-1/2"	360	166	286	380		12.7

- 專用於**負壓(真空吸附)**管路內過濾微塵的裝置。
- 可過濾粒徑約 5μ m的微塵。
- 外殼採用鋁合金製造，濾心易清潔。

- Specially used for filtering fine dust in **negative pressure (vacuum)** pipelines
- It can filter fine dust with a particle size of about 5μ m.
- The shell is made of aluminum alloy, and the filter core is easy to clean.



編號 No.	零件名稱 Parts name
01	鼓風機機蓋 Casing cover
02	螺帽 Nut
03	彈簧華司 Spring washer
04	鼓風機葉輪 Impeller
05	平行鍵 Pin
06	軸承蓋板 Washer(front bearing)
07	前軸承 Front bearing
08	鼓風機機殼 Casing
09	彈簧華司 Spring washer
10	吊環 Eye bolt
11	馬達轉子 Rotor
12	馬達定子 Stator assembly
13	馬達接線盒 Terminal box
14	後軸承 Rear bearing

編號 No.	零件名稱 Parts name
15	馬達後蓋 Motor rear cover
16	散熱葉片 Cooling fan
17	風蓋 Fan cover
18	鼓風機腳座 Mounting plate
19	馬達支柱 Motor bracket
20	風管墊片 Gasket(silencer housing)
21	消音網管 Silencer filter pipe
22	消音泡棉 Silencer foam
23	消音風管 Silencer housing
24	出入風口法蘭墊片 Gasket(inlet/outlet flange)
25	出入風口法蘭濾網 Filter mesh
26	出入風口法蘭 Inlet/outlet flange
27	電容器 Capacitor
28	電容束帶 Steel clip

用途 Applications

印刷機械、洗碗機械、粉粒體輸送、送料機、散熱、超音波清洗、薄膜機、工程現場、汽車工作場所、真空吸附、真空搬運、粉體充填、發酵槽、碎屑吸取、電腦雷射切割機、燃燒機、塑膠機械、食品機械、集塵機、木工機械、乾燥機、焚化爐、機械冷卻等。

Printing machinery, dishwashing machinery, powder conveying, feeder, heat dissipation, ultrasonic cleaning, film machine, engineering site, automobile workplace, vacuum adsorption, vacuum handling, powder filling, fermentation tank, debris absorption, computer laser cutting machine, combustion machine, plastic machinery, food machinery, dust collector, woodworking machinery, dryer, incinerator, mechanical cooling, etc.

單位換算表 Measurement Conversion Table

壓力 Pressure

	mmAq	mbar	pa	kgf/cm ²	atm	in Hg	lbf/in ²
1mmAq	1	9.807x10 ⁻²	9.807	10 ⁻⁴	9.677x10 ⁻⁵	2.896x10 ⁻³	1.42x10 ⁻³
1mbar	10.197	1	10 ²	1.02x10 ⁻³	9.869x10 ⁻⁴	2.953x10 ⁻²	1.45x10 ⁻²
1pa	0.102	0.01	1	1.02x10 ⁻⁵	9.87x10 ⁻⁶	2.953x10 ⁻⁴	1.45x10 ⁻⁴
1kgf/cm ²	10 ⁴	9.807x10 ²	9.807x10 ⁴	1	0.968	28.96	14.223
1atm	1.033x10 ⁴	1.013x10 ³	1.013x10 ⁵	1.033	1	29.92	14.7
1in Hg	3.45x10 ²	33.86	33.86x10 ²	3.45x10 ⁻²	3.342x10 ⁻²	1	0.491
1lbf/in ²	7.03x10 ²	68.95	68.95x10 ²	7.03x10 ⁻²	6.805x10 ⁻²	2.036	1

風量 Air Flow

	m ³ /min	m ³ /hr	l/min	ft ³ /min(cfm)
1m ³ /min	1	60	1000	35.31
1m ³ /hr	0.017	1	16.67	0.589
1l/min	0.001	0.06	1	0.035
ft ³ /min(cfm)	0.028	1.699	28.32	1

功率 Power

	kW	HP	PS	kg-m/sec
1kW	1	1.341	1.360	101.97
1HP	0.746	1	1.014	76.038
1PS	0.736	0.986	1	75
1kg-m/sec	0.01	0.013	0.013	1

常用壓力單位換算

Common Pressure
Measurement Conversion

$$1\text{Pa}=0.102\text{mmAq}$$

$$1\text{psi}=703\text{mmAq}$$

$$1\text{mbar} = 10.197\text{mmAq}$$

$$1\text{bar} = 1000\text{mbar}$$

$$1\text{mmHg}=13.6\text{mmAq}$$

$$1\text{kg/cm}^2=10000\text{mmAq}$$

$$1\text{Torr}=133.3\text{Pa}$$

$$1\text{Torr}=1.333\text{mbar}$$

F級絕緣馬達 · 可高耐溫

鋁合金製造 · 重量輕

結構堅固 · 低震動 · 高效率



升圓企業有限公司

SERVE-WELL ENTERPRISE CO., LTD.

420台中市豐原區北陽路450巷154號

No.154, Lane 450, Pei Yang Rd.,

Feng Yuan Dist., Taichung City, Taiwan 420

TEL:04-25228046

FAX:04-25248251

E-mail:serve.well@msa.hinet.net

sales@serve-well.com

<https://www.serve-well.com>

